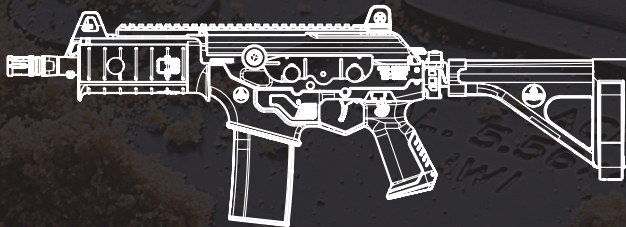


GALIL ACE[®]

SEMI-AUTOMATIC RIFLES & PISTOLS

5.56X45mm NATO



This Operator Manual should always accompany this firearm and be transferred with it upon change in ownership, or when the firearm is loaned or transferred to another person. Read the instructions and warnings in this manual carefully and understand them before using this firearm. If there is anything you do not understand, seek advice from your retailer or someone qualified in the safe handling of firearms, or contact IWI US, Inc. at Tel: +1 (717) 695-2081 or service@iwi.us.



**Congratulations on your purchase of the
GALIL ACE[®] Semi-Auto Rifles & Pistols**

Your packaging includes:

1. Sight Adjustment Tool (Zeroing Key).
2. 1 - PMAG[®] 30 AK/AKM MOE[®].
3. Literature Packet
 - a. This Manual.
 - b. NSSF Firearms Safety Depends on You Pamphlet.
 - c. NSSF Firearms Responsibility in the Home Pamphlet.
 - d. 18U.S.C.§922(r) and 27CFR§478.39 Regulatory Compliance Notice (Rifle Only).
 - e. IWI US, Inc. Limited Product Warranty Card.
 - f. National Rifle Association (NRA) Application.
 - g. IWI Decal.
4. Gun Cable Lock.
5. Protective VCI Bag.

If you notice that anything is missing from the above list, please contact IWI US customer service at info@iwi.us or call +1717-695-2081.

We appreciate your business.

IWI US, Inc.

**WARNING: 18 U.S.C. § 922(r) and 27 CFR § 478.39**

Your GALIL ACE® rifle is assembled by IWI US, Inc. from parts made in Israel and the US and complies with all US laws and regulations governing the assembly of semi-auto rifles in the US from foreign and US parts.

If you use a non-US made magazine in your GALIL ACE® rifle, you may be in violation of the above Federal regulations.

If you use a non-US made trigger, hammer, or disconnecter, you may be in violation of the above Federal regulations.

When your GALIL ACE® rifle left the IWI US, Inc. factory, it was in compliance with the above regulations. It is your responsibility to insure continued compliance with these regulations once the GALIL ACE® rifle is in your possession.

Table of Contents

WARNING.....	4
This Manual Contains.....	5
Icons in This Manual.....	6
Illustrations in This Manual	6
Dangerous Procedures.....	7
General Safety Rules and Procedures.....	9
Firearms Safe Home Storage Checklist.....	16
Instructions for Using the Cable Lock	18
Chapter 1: Introduction	20
Chapter 2: Rifle Function.....	26
Chapter 3: Firing Process	30
Chapter 4: Disassembly/Assembly Authorized at Operator Level.....	43

Chapter 5: Preventive Maintenance	69
Chapter 6: Troubleshooting	74
Limited Product Warranty	78
Repair Services	81



WARNING

PRIOR TO REMOVING THIS GUN FROM ITS PACKAGING, AND PRIOR TO HANDLING, LOADING AND FIRING, CAREFULLY AND THOROUGHLY READ AND UNDERSTAND THIS ENTIRE OPERATOR MANUAL WHICH GIVES ADVICE ON THE FIREARM'S PROPER HANDLING, FUNCTIONING AND SAFE USE. YOUR SAFETY AND THAT OF OTHERS (INCLUDING YOUR FAMILY) DEPENDS ON YOUR RESPONSIBLE COMPLIANCE WITH THAT ADVICE, GOOD JUDGMENT AND COMMON SENSE. **FIREARMS SAFETY DEPENDS ON YOU.** YOU CANNOT FORGET, YOU CANNOT OVERLOOK, YOU CANNOT ALLOW YOURSELF TO BE DISTRACTED, YOU CANNOT BECOME COMPLACENT OR CASUAL WITH FIREARMS.

THERE ARE NO "FOOLPROOF" FIREARMS. ONCE A SHOT IS FIRED, IT CANNOT BE CALLED BACK. A FIREARM IN YOUR HANDS CAN CAUSE UNINTENDED DEATH OR SERIOUS BODILY HARM IF YOU FAIL TO FOLLOW SAFE GUN HANDLING RULES AND PRACTICES SUCH AS THOSE CONTAINED IN THIS MANUAL. **REMEMBER, FIREARMS SAFETY DEPENDS ON YOU!**

IF UNFAMILIAR WITH FIREARMS, SEEK SUPERVISED INSTRUCTION FROM A CERTIFIED INSTRUCTOR.

This Manual Contains

- Important **WARNINGS** and **SAFETY PRECAUTIONS** that must be read and understood before using this firearm. **SAFE GUN HANDLING IS YOUR PERSONAL RESPONSIBILITY AT ALL TIMES.** Disregarding the warnings and safety precautions in this manual can result in injury or death to you and others and damage to property.
- Directions and procedures for handling, loading firing, unloading, disassembling and assembling this firearm.
- Instructions for care, cleaning and repair of this firearm.

This Operator Manual is designed to help you in learning how to properly and safely use and care for your GALIL ACE®. Only when you are certain you have fully familiarized yourself with the function of your firearm, should you practice loading, unloading, and firing with live rounds of ammunition at a firing range or other safe location.

This Operator Manual should always accompany the firearm and be transferred with the firearm on change of ownership or possession. Should you ever need to replace it, this manual is available FREE upon request from IWI US, Inc. or on the IWI US, Inc. website at www.iwi.us.

Icons in This Manual

Before you start, familiarize yourself with the icons you will see in the manual.

	Warning
	Pay Attention
	Additional Information
	Procedure
	Process
	Safety Regulation

Illustrations in This Manual

The illustrations in this manual may differ slightly from the actual product.

Dangerous Procedures



WARNING! Always have the headspace checked by a competent gunsmith with “Go” and “No-Go” gauges after replacing the bolt or barrel assembly. Failure to check the headspace may result in personal injury or death to you and others and could cause severe firearm damage.



WARNING! If your gun misfires with a live round in the chamber of a hot barrel, immediately remove the round while keeping the barrel pointed in a safe direction and the ejection port turned away from your face.

If unable to remove the live round within 10 seconds, remove the magazine, keep the gun pointed in a safe direction, and wait 15 minutes for the barrel to cool. Then remove the round. Continuous or rapid firing of your gun can cause the barrel temperature to reach a “**COOKOFF POINT**”, where the heat of the barrel can cause a live round to fire from remaining in contact with a hot chamber. If you have been firing continuously or rapidly, do not allow a live round to remain in the chamber when you finish firing, as it may “**COOK OFF**” (FIRE). Always keep your face away from the ejection port when clearing a hot chamber.



WARNING! Never fire your gun with water, grease, excess oil, or any other obstruction in the barrel as this could cause the gun to explode! Be sure the barrel is clear of obstructions before shooting.



WARNING! When firing and you experience a noticeable difference in sound or recoil, **STOP FIRING!**

The cause for either condition could be incomplete powder burn, a cartridge with a primer but no powder (“SQUIB LOAD”) or too little powder, and/or a bullet stuck in the bore.

Immediately unload the gun and check for unburned powder residue in the bore and the receiver or a bullet stuck in the bore. Remove the unburned powder before resuming firing. If a bullet is stuck in the bore, have a qualified gunsmith take care of the problem. Never try to “SHOOT OUT” a bullet stuck in the bore. Firing with unburned powder in the barrel or a bullet stuck in the bore could cause the barrel to explode causing serious injury or death.

General Safety Rules and Procedures



WARNING! Careless and improper handling of this gun could result in unintended discharge, causing injury, death or property damage. Safety must be the first and constant consideration when handling a firearm and ammunition. **SAFETY DEPENDS ON YOU.**



WARNING! This firearm was designed to function properly in its original condition. Do not alter any parts. Do not replace any parts unless you are factory-trained to do so and then use only original factory parts from IWI US, Inc.



WARNING! This firearm should always be carried with the chamber empty and with the safety “ON SAFE” to prevent accidental discharge.

Important Note:

This Operator Manual and the instructions and warnings contained in it are intended for the civilian recreational user, target shooter, or hunter, and not necessarily for the law enforcement, security, military, or other “defensive” user. Defensive use of this or any other firearm involves unusual, serious risks, and may at times require deviation from certain safety rules and gun handling procedures contained in this manual. Such defensive procedures and deviations are beyond the scope of this manual. In order to use such defensive procedures safely requires intensive initial training and qualification from a proper professional source, followed by “in service” training and qualification at appropriate intervals. Anyone who has not been properly and professionally trained in defensive gun handling procedures must not attempt to use this firearm in any manner other than as set out in this Operator Manual. Doing so can result in serious injury or death.



WARNING! Always handle and treat your firearm as if it were loaded so you will never fire it accidentally when you mistakenly think it is unloaded. Never take anyone's word that it is unloaded. Always check it yourself with your fingers off the trigger and the gun pointed in a safe direction. Even after you have confirmed that the gun is unloaded, continue to treat it as if it were loaded.



WARNING! Never place your fingers inside the trigger guard area unless you are aiming at a proper target and intend to fire. Instead, keep your trigger finger wrapped around the grip or braced on the gun's frame until you intend to fire. Do not pull the trigger or attempt to fire until the safety selector has been moved to the FIRE position.



WARNING! If your finger is on the trigger or inside the trigger area, you may unintentionally discharge the firearm if you are startled, if you lose your balance, if you exert muscular force with your other hand or arm or with either leg, or if something comes in contact with your hand, arm, or the gun. Always keep the safety "ON SAFE" and your finger outside the trigger area, wrapped around the grip or braced on the gun's frame, until you intend to fire.



WARNING! Upon firing, a hot, empty shell casing is forcefully ejected from the right side of the firearm. All persons present must wear suitable eye protection, and must stand clear of the case ejection area.



WARNING! Keep the gun's muzzle pointed in a safe direction at all times. A safe direction is one in which an unintentionally fired shot will not cause any physical injury or property damage. Never let the muzzle of a firearm point at any part of your body or another person, or in any direction where an injury may result if the gun were to fire. Always be sure of your target and what's beyond and around it before firing.



WARNING! UNLOAD ALL FIREARMS WHEN NOT IN USE. NEVER STORE A LOADED FIREARM. Firearms and ammunition should be stored separately under lock and key so that they are inaccessible to children or unauthorized users. Never leave a loaded firearm, or any firearm or ammunition, unattended where an unauthorized user might have access to it. At the range, any firearm you lay down on the shooting bench should be unloaded, with its action locked open. Never lean or place a firearm where it could slide or fall, such as leaning it against or placing it on a vehicle. Never let the muzzle of a firearm touch the ground, or touch mud, sand or snow that might obstruct the bore, causing the barrel to burst when you fire. If you drop a firearm, pick it up carefully with it pointed in a safe direction (have all other people move out of the direction of the muzzle), with your finger outside the trigger area and the safety in the Safe ("S") position. Then unload the firearm, and check to be sure there are no obstructions in the bore. This can be done safely with a cleaning rod, or by disassembling the firearm and looking down the bore from the chamber (rear) end. If there is any possibility of damage to your GALIL ACE®, have it inspected by a qualified gunsmith, or return it to IWI US, Inc. for inspection, before you load or fire it again.



WARNING! Always make sure your firearm is not loaded before cleaning, storing, transporting or handing it to another person. Firearms should be transported unloaded and in a protective gun case.



WARNING! Whenever you pick up any firearm that, even for an instant, has been out of your direct, continuous control, the first thing you must do, while keeping the muzzle pointed in a safe direction and your fingers out of the trigger area, is to open the firearm's action (mechanism) to determine whether or not it is loaded.



WARNING! Always wear and require others to wear wraparound ANSI or OSHA approved safety glasses while shooting to protect your eyes from injury by ejected shell cases, gun powder gas, lubricant, dirt or metallic particles, carbon residue, sparks, bullet splashback from targets or other debris.



WARNING! Always wear and require others to wear commercially manufactured ear protection when shooting. Without ear protection, the noise from your gun, and other guns close to you, could leave a “ringing” in the ears for some time after firing, and could result in permanent hearing loss.



WARNING! Learn the mechanical and handling characteristics of the firearm you are using. Not all firearms are the same, and your GALIL ACE[®] firearm has some unique features. Do not assume that just because you have experience with other firearms, you know how to use the GALIL ACE[®] firearm properly. Read and understand this manual. If there is anything you do not understand, contact your firearms retailer or IWI US, Inc. at service@iwi.us or telephone +1717-695-2081.



WARNING! Never climb or descend a tree, fence or wall, jump across a stream or ditch, or attempt to cross an obstacle, ice, or precarious terrain while carrying a loaded firearm. Whenever you are going to do anything awkward, unload the gun first!



WARNING! Do not shoot at a hard surface, such as rock, masonry or metal, or at water or ice. The bullet may ricochet and travel in unpredictable directions to strike you or another unintended person or object, or even an object that you cannot see.



WARNING! A bullet fired into the air can travel over one mile, and can kill or seriously injure someone when it comes down. Never fire into the air, or at a target or animal in a tree or on the crest of a hill.



WARNING! Before hunting with this or any other firearm, take an approved Hunter Safety Course, taught in all states by the state game commission or by the National Rifle Association (NRA). Follow your state's game laws at all times while hunting.



WARNING! Firing a gun near livestock or other domestic animals may startle them and cause them to injure themselves, other animals, or people, or to cause property damage. Think first before you discharge any firearm.



WARNING! If you have not received formal firearms instruction or if you have any doubts about your ability to handle or use this firearm safely, seek supervised instruction from a certified instructor. Information about sources of firearms instruction can often be obtained from your local police department, firearms retailer, gun club, shooting range, state game commission, or from the National Rifle Association (“NRA”), 11250 Waples Mill Road, Fairfax, Virginia 22030, telephone 1-703-267-1000 or 1-800-672-3888.



WARNING! If at any time you notice something about the appearance or functioning of your GALIL ACE[®] firearm that does not seem proper or that causes you concern, STOP, unload your firearm immediately, and do not load or fire your firearm until you have it inspected and, if necessary, repaired by a factory-trained armorer, or by IWI US, Inc. If you fire your GALIL ACE[®] firearm extensively, have it professionally inspected and serviced periodically (annually is a good average interval) by a factory-trained armorer or by IWI US, Inc.



WARNING! Firearms and alcohol do not mix. Never drink alcoholic beverages or take drugs before or during shooting. This constitutes criminal disregard for your safety and that of others. Some medications can impair your vision, balance, reflexes, coordination, alertness or judgment. Never use a firearm while you are taking medication unless you have checked with your doctor to ensure your fitness to handle your firearm safely. Do not handle your firearm when you are ill, tired, upset or distracted.



WARNING! Horseplay has no place around firearms. Guns can't think – you can!
SAFETY DEPENDS ON YOU!



WARNING! Remember, safety is your responsibility. Be a safe shooter.
SAFETY DEPENDS ON YOU!



WARNING! FOLLOW THE LAW. Obey all local, state and federal laws regarding possessing, storage, shooting and transporting your firearm.



WARNING! Discharging firearms in poorly ventilated areas, cleaning or handling firearms, or handling ammunition may result in exposure to lead and other substances that may cause birth defects, reproductive harm, and other serious physical injury. Have adequate ventilation at all times. Wash your hands and face thoroughly after exposure, and before eating or drinking. Shooting, handling or cleaning guns may expose you to lead, which is a toxic substance.

REMEMBER, FIREARMS SAFETY DEPENDS ON YOU! THERE ARE NO “FOOLPROOF” GUNS, INCLUDING THE GALIL ACE®. A SINGLE MOMENT OF INATTENTION OR A SINGLE FAILURE TO FOLLOW THESE GUN SAFETY RULES AND WARNINGS CAN RESULT IN TRAGEDY. YOU ARE RESPONSIBLE FOR THE GUN THAT IS IN YOUR HANDS, IN YOUR POSSESSION, OR UNDER YOUR CONTROL. FIREARMS SAFETY DEPENDS ON YOU!

Firearms Safe Home Storage Checklist

- Firearms naturally attract the attention of children, teenagers and adults alike. Accordingly, it is YOUR responsibility to ensure that your firearms, when unattended, stored, or not in use, are secured under lock and key, safely out of the access of all unauthorized users. This is YOUR responsibility, and any mistake or laziness on your part can result in death or serious injury to your loved ones or others.
- Firearms must be securely stored under lock and key in a location inaccessible to children and other unauthorized persons.
- One of the safest ways to store your firearms is in a locking metal gun safe or lock box. Many models, including ones permitting quick access to the firearm if needed for self-defense, are now available at firearms retailers or via the Internet. Using the cable lock provided with your GALIL ACE® SEMI-AUTOMATIC RIFLES & PISTOLS (see “Instructions for Using the Cable Lock” on page 19) is a good safety precaution, but not as good as locking your firearm in a metal gun safe, where it is also out of sight and protected from fire, theft, and curious hands.
- Sporting firearms should be immediately cleaned and placed in secure locked storage when they are returned from hunting or target shooting.

- When firearms are removed from storage, they must always immediately be carefully checked to confirm that they are unloaded.
- Ammunition should be stored under lock and key, in a separate location from firearms.
- The operator manual that came with your firearm must be read, understood and followed.

For more information on safe storage and use, refer to the NSSF pamphlets “**Firearms Safety Depends on You**” and “**Firearms Responsibility in the Home**”, available for download from the NSSF website at <http://nssf.org>.

Instructions for Using the Cable Lock

Your GALIL ACE® rifles & Pistols is supplied with a quality cable lock. Properly used, this lock will help you to secure your firearm from children and other unauthorized users to reduce the chance of an accident, either in the home or while transporting your firearm, provided you take the other reasonable safety precautions contained in this Operator Manual.



WARNING! NEVER attempt to use the cable lock on a loaded firearm - always unload the firearm before installing the cable lock. Otherwise, the firearm could discharge, causing death or serious injury.



WARNING! NEVER insert the cable lock into the trigger guard or trigger area of the GALIL ACE® or any other firearm, as the cable could press against the trigger and fire the gun, causing death or serious injury.



WARNING! The cable lock supplied with your GALIL ACE® rifle or pistol may not fit or work properly on other firearms. This lock is intended for use only on your GALIL ACE® rifle or pistol.

To use the cable lock, do the following:

1. Be sure your firearm is empty (unloaded) by following the **Safety Inspection Procedures** on page 33.
Your GALIL ACE® should now be unloaded, with the safety lever on Safe ("S") position.



WARNING! Keep the muzzle pointed in a safe direction, your fingers outside the trigger guard, and the safety lever on Safe ("S") position throughout the process of putting the cable lock on your rifle.

2. Using the key, open the cable lock. Leave the key in the lock.
3. Insert the end of the cable lock cable through the ejection port and out through the empty magazine well.
4. Insert the end of the cable lock cable into the lock body and hold the end of the cable fully into the lock body while you turn and remove the key to lock the lock.
5. Tug hard on the cable several times to be sure the lock is locked securely. Used in this way, the cable lock will prevent the GALIL ACE® bolt carrier from closing, preventing the rifle from being fired.
6. Take the key with you, or store the key securely in a remote location from the firearm.
7. Store your firearm in a secure place out of sight, and out of reach of children.

NOTE While the cable lock can be an important part of your firearms security program, for home storage it is not as secure as locking your gun in a metal gun safe or lock box. Use of the cable lock alone will not prevent your firearm from being stolen, and will not keep your firearm out of view of unauthorized users. The cable lock can be cut off the firearm with a hacksaw, bolt cutter or cable cutter.

Chapter 1: Introduction



General

The Galil ACE is combat proven, and is one of the most reliable weapons under adverse and extreme conditions. Most of its mechanism parts are interchangeable with its different models.

The rifle is a lightweight, air-cooled, gas-operated, magazine-fed, shoulder or hip fired weapon.

The Galil ACE family has an outstanding ease operating which makes the weapon a unique one in its class. The fire selector lever and magazine catch may all be operated from either side of the weapon so that operation is equally easy for the right or left-handed soldier.

Maintenance of the weapon in operator level is simple and special tools are not required when "stripping" the weapon.

The Weapon has 5 Picatinny rails that allow it to install a wide variety of Accessories: Flashlight, Sight, Telescopic Sight bipod and more. There are two (2) basic models:

- GALIL ACE[®] Pistols
- GALIL ACE[®] Rifles

In GALIL ACE[®] Rifle the butt length can be adjusted for different firing positions.



Safety Regulations

1. Never leave your rifle or pistol cocked, even when it is not loaded.
2. Ensure that the fire selector is on Safe ("S") position whenever:
 - Firing is terminated
 - Rifle or pistol is being transported or moved
 - Rifle or pistol is not in use
3. Never point the weapon at anyone, even if you are sure the rifle or pistol is unloaded.
4. Always keep your shooting finger out of the trigger guard, unless you are going to shoot.
5. Ammunition warning:

Use only high quality commercially manufactured ammunition in good condition of the appropriate caliber. The caliber of your rifle or pistol is marked on the receiver. Use only NATO or ammunition made to SAAMI specifications.

Not all ammunition produces the same result. IWI US, Inc. recommends that once you find a brand which functions best in your ACE, keep using it.

IWI US, Inc. does not recommend using hand loads, reloads or remanufactured ammunition, or foreign or military surplus ammunition of unknown or questionable quality. The use of this ammunition will void the IWI US, Inc. warranty, and may be dangerous, possibly causing death or serious injury if the ammunition is not made to the proper specifications.



Technical Data

The following tables display the technical data for the ACE family:

	GALIL ACE® Pistol	GALIL ACE® Pistol With Stabilizing Brace
Cal.	5.56 X 45mm	
Method of operation	Gas on piston head, Rotating bolt lock	
Mag	PMAG® 30 AR/M4 GEN M3 Window 5.56X45	
Mode of fire	Semi-automatic	
Length	18"	26.75"
Length (Brace Folded)	" "	18.9"
Barrel	8.3"	
Weight	6 Lb. w / o Mag	6.7 Lb. w / o Mag
Note	No Buttstock No Brace	Side Folding Stabilizing Brace
Forearm	Tri-Rail w / Covers	
Barrel Rifling	6 R.H grooves, 1:7" twist	
Sight	"Adjustable w / Tritium Post"	

Table 1-1: Technical Data for GALIL ACE® Pistols



Figure 1-1: GALIL ACE[®] Pistol



Figure 1-2: GALIL ACE[®] Pistol with Stabilizing Brace



Figure 1-3: GALIL ACE[®] Pistol with Stabilizing Brace - Brace Folded

GALIL ACE[®] Rifle	
Cal.	5.56 X 45mm
Method of operation	Gas on piston head, Rotating bolt
Mag	PMAG [®] 30 AR/M4 GEN M3 Window 5.56X45
Mode of fire	Semi-automatic
Length (Butt Retracted)	34.5"
Length (Butt Extended)	37.8"
Length (Butt Folded)	27.4"
Barrel	16"
Weight	7.5 Lb. w / o Mag
Note	Side Folding Adj. Buttstock
Forearm	Tri-Rail w / Covers
Barrel Rifling	6 R.H. grooves, 1:7" twist
Sight	Adjustable w / Tritium Post

Table 1-2: Technical Data for GALIL ACE[®] Rifle



Figure 1-4: GALIL ACE[®] Rifle - Retracted Butt

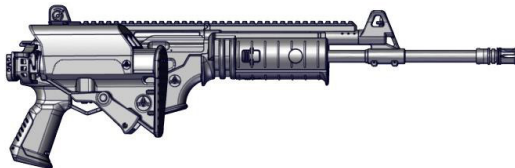


Figure 1-5: GALIL ACE[®] Rifle - Folded Butt

Chapter 2: Function



General

This chapter explains the ACE parts, principles of operation, safeties and trigger mechanism.



ACE Parts

The ACE parts are indicated in Figure 2-1

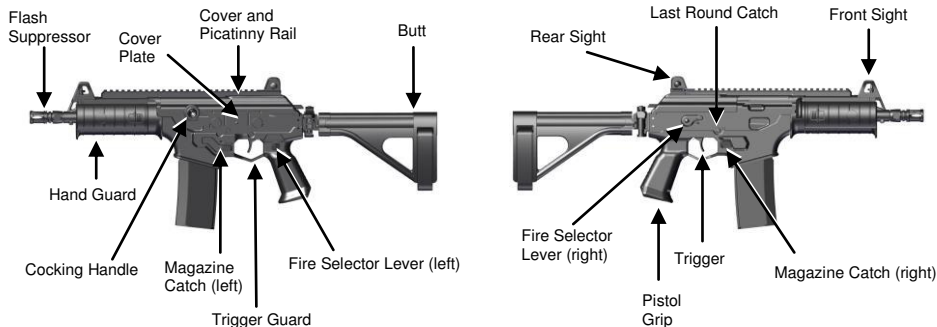


Figure 2-1: ACE Parts

**Safeties**

The ACE is equipped with mechanical safeties that prevent unintentional firing:

- a. Manual safety – in Safe ("S") position, the trigger is blocked by the safety catch, thus preventing the release of the hammer.
- b. No hammer/firing pin engagement, unless the bolt is completely locked.
- c. Firing pin spring – prevent primer activation due to firing pin inertia in normal firing or if the rifle is dropped.



Trigger Mechanism Operation

The mechanism comprises the following components: trigger, disconnecter, hammer, fire selector and springs.

Fire Selector Lever in Safe ("S") Position

In this position the fire selector is located above the rear end of the trigger preventing its movement and thus the release of the hammer.

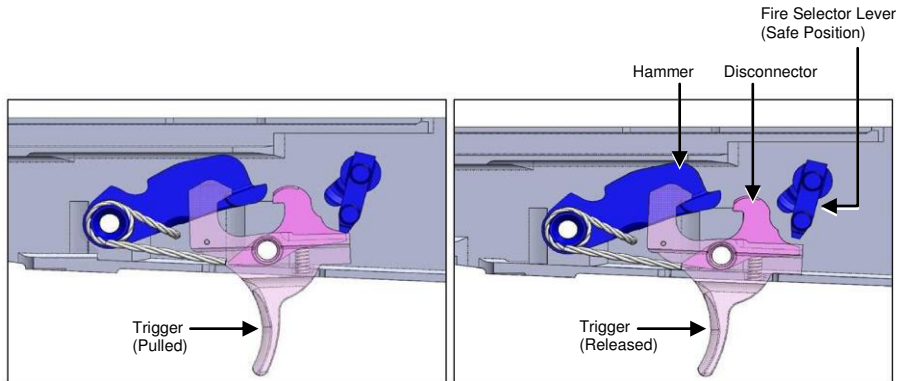


Figure 2-2: Safe ("S") Position

Fire Selector Lever in Semi-Automatic Fire ("F") Position

In this position the fire selector does not act neither on the trigger on the disconnecter. The rotational movement of the trigger causes the release of the hammer. After the firing, while the trigger is still pulled the disconnecter catches the hammer (Figure 2-3).

In order to fire another round the trigger must first be released. When releasing the trigger the disconnecter releases the hammer, which, in turn, is engaged immediately by the trigger sear (Figure 2-4). Pulling the trigger causes the release of the hammer from the trigger sear, thus hitting the firing pin.

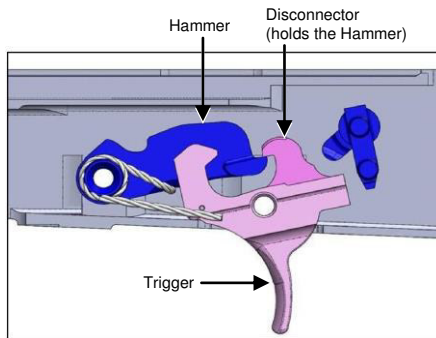


Figure 2-3: Semi-Auto. ("F") Position: Trigger Pulled

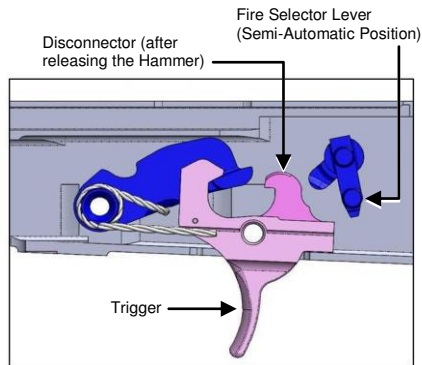


Figure 2-4: Semi-Auto. ("F") Position: Trigger Released

Chapter 3: Firing Process



General

This chapter contains safety, operating and firing procedures.



Safety Inspection

A safety inspection must be performed:

- When receiving and handing over the rifle.
- After using live ammunition.

**Safety Inspection Procedures**

Perform the safety inspection procedures as follows:

- a. Ensure that the safety lever is on Safe ("S") position.
- b. Ensure there is no magazine in the weapon.
- c. Hold the pistol grip.
- d. Raise the weapon to a 60° angle.
- e. Open safety to "automatic" or "Semi-automatic" ("F") position.
- f. Cock and hold the cocking handle at rear position.
- g. Check visually the barrel chamber.
- h. Release the cocking handle.
- i. Move safety to Safe ("S") position.



Weapon Operation

The following sections describe the weapon operation



Loading and Unloading the Magazine

1. Loading the Magazine

To load the magazine, perform the steps as follows (see Figure 3-1):

- Hold the magazine with your hand (follower facing up).
- Hold the round with your other hand.
- Place the round on the follower, or the upper round in the magazine.
- Press round with your thumb.



Figure 3-1: Loading the Magazine

2. Unloading the Magazine

To unload the magazine, perform the steps as follows (see Figure 3-2):

- a. Push the upper round forward.
- b. Repeat this process until the magazine is empty.



Figure 3-2: Unloading the Magazine



Inserting and Removing the Magazine

1. Inserting the Magazine

To insert the magazine, perform the steps as follows (see Figure 3-3):

- a. Hold pistol grip with one hand.
- b. Hold magazine with the other hand and insert magazine into magazine opening until you hear magazine catch snap into place.



NOTE: While inserting the magazine, ensure that the fire selector lever is on Safe ("S") position.

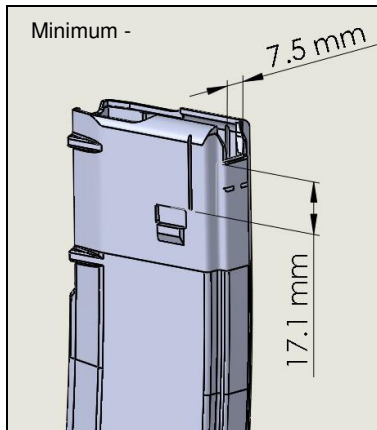


Figure 3-3: Inserting the Magazine



NOTE: Suitable rifle magazine MAGPUL GEN 3.

If an older version is been used, verify that the following dimensions are maintained.



2. Removing the Magazine

To remove the magazine, perform the steps as follows (see Figures 3-4, 3-5):

- a. Hold magazine with your free hand.
- b. Press on the magazine catch (right or left) with the index (shooting) finger (1) and pull out the magazine (2).



Figure 3-4: Removing the Magazine (1)



Figure 3-5: Removing the Magazine (2)



Cocking and Loading the Rifle

To cock and load the rifle, perform the steps as follows (see Figure 3-6):

- a. Verify the weapon is in "semi-automatic" ("F") position.
- b. While still holding rifle's pistol grip (after inserting magazine), pull the cocking handle all the way back, release instantly.
 - This action will cause one round to be pushed from the magazine into the chamber.
 - The rifle is now loaded.
- c. Move the fire selector lever to the Safe ("S") position.



Figure 3-6: Cocking and Loading the Rifle



Firing

To fire, perform the steps as follows:

- a. Move fire selector lever to "semi-automatic" ("F") position.
- b. Hold rifle firmly with both hands, aim and pull the Trigger.
 - When firing "semi-automatic" the Trigger must be released and pulled again in order to fire the next round.

Last Round Catch



After firing of the last round the bolt carrier will remain in its rear position.

To change the magazine with a full one, perform the steps as follows:

- a. Remove the empty magazine (see section "Removing the Magazine").
- b. Insert a full magazine (see section "Inserting the Magazine").
- c. Reload the weapon by released the bolt carrier by either:
Press the last Round Catch button down.

Pull the bolt carrier cocking handle slightly to the rear and release it instantly.



Unloading the Rifle

To unload the rifle, perform the steps as described in section "Safety Inspection Procedures".



Sights

The front sight is a post, adjustable for elevation.

The rear sight is an aperture, "L" flip-type, adjustable for windage and set for the following ranges:

GALIL ACE[®] Pistols:

- 0–300 meter range
- 300–500 meter range

GALIL ACE[®] Rifle:

- 0–300 meter range
- 300–500 meter range



Night Sights

The Beta Lights (Tritium Gas) are built-in into the sights. There are two spots at the rear sight and one at the front sight.

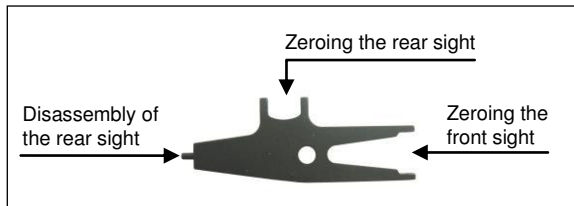


Zeroing the Rifle

In order to adjust your sights, follow the marked symbols:

Rear Sight	"R"	Rotating the screw in the arrows direction will move the Mean Point of Impact (MPI) to the right.
Front Sight	"Up"	Rotating the sight in the arrows direction will move the MPI upward.

Zeroing key





Sight Deviation Correction

The following tables indicate the relative adjustments.

HORIZONTAL AND VERTICAL ADJUSTMENT FOR 100-METERS RANGE

GALIL ACE® Pistols

Number of clicks on Post or Windage Screw	Correction on Target
1 click (1/4 turn)	1"
2 clicks (1/2 turn)	2"
3 clicks (3/4 turn)	3"
4 clicks (1 turn)	4"

GALIL ACE® Rifle

Number of clicks on Post or Windage Screw	Correction on Target
1 click (1/4 turn)	1"
2 clicks (1/2 turn)	2"
3 clicks (3/4 turn)	3"
4 clicks (1 turn)	4"

HORIZONTAL AND VERTICAL ADJUSTMENT FOR 25-METERS RANGE

GALIL ACE[®] Pistols

No. of clicks on Post or Windage Screw	Correction on Target
1 click (¼ turn)	1/4"

GALIL ACE[®] Rifle

No. of clicks on Post or Windage Screw	Correction on Target
1 click (¼ turn)	1/4"

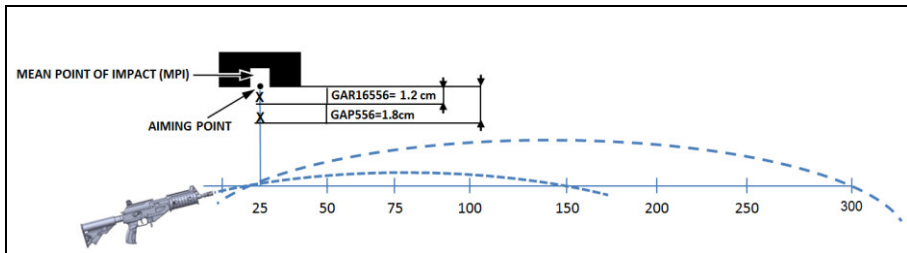


Figure 3-7: Zeroing the Rifle at 25m for: GALIL ACE[®] Pistols - 150m
GALIL ACE[®] Rifle - 300m

Chapter 4: Disassembly/Assembly Authorized at Operator Level



General

This chapter contains user level disassembly and assembly procedures. Disassembly beyond what is described in this manual should only be performed by an IWI US certified armorer or by IWI US, Inc.

Disassembled parts should be placed in an organized fashion in the order of removal beside the weapon.

Assembling is always performed in reverse order to disassembling unless otherwise specified.



Before disassembly, remove the magazine and verify that the chamber is empty. Also ensure there is no live ammunition in the area where cleaning is being performed.

**Operator Level Weapon Disassembly and Assembly – Field Stripping**

No.	Part
1	Cover
2	Return Spring
3	Bolt Carrier
4	Bolt
5	Gas Cylinder

Table 4-1: Field Stripping

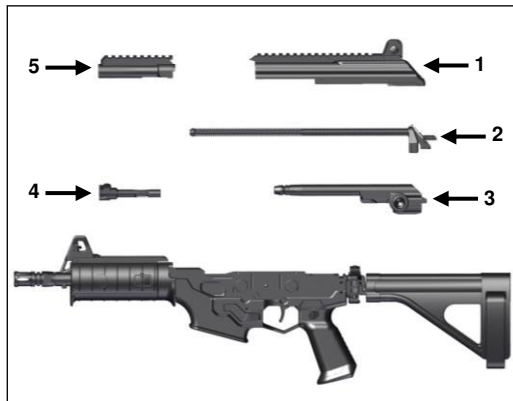


Figure 4-1: Field Stripping



Disassembling the Cover

To disassemble the cover, perform the steps as follows (see Figure 4-2):

- a. Press cover catch inward with the thumb (1).
- b. With the other hand, tilt cover to the side and pull back to remove it from rifle (2).



"It should be noted that the cover will be tight and may require some force to remove."

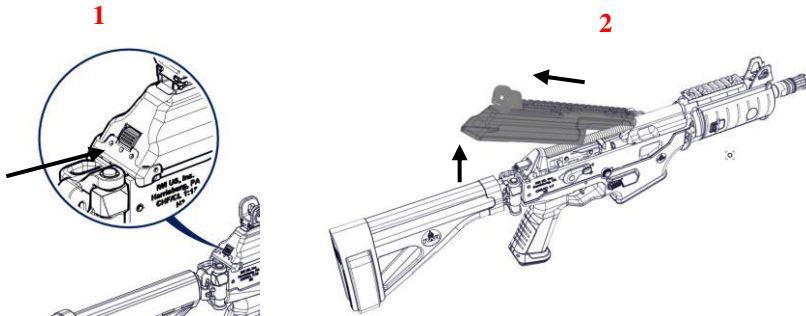


Figure 4-2: Cover Disassembly



Disassembling the Return Spring

To disassemble the return spring, perform the steps as follows (see Figure 4-3):
Hold the weapon with one hand, with the other hand push the spring slightly forward.
then pull it slightly upward to clear the receiver and remove it.



Be careful not to bend or force the recoil spring assembly too far upward as it will bend the recoil spring guide

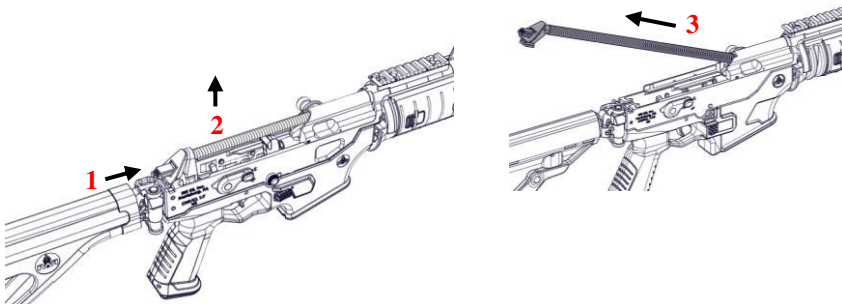


Figure 4-3: Return Spring Disassembly



Disassembling the Bolt Carrier and Bolt

To disassemble the bolt carrier and bolt, perform the steps as follows (see Figure 4-4):

- a. Pull bolt carrier all the way backwards and extract it from the receiver (1).
- b. Hold the bolt carrier, rotate the bolt counter clockwise (2, 3) and pull it out (4).

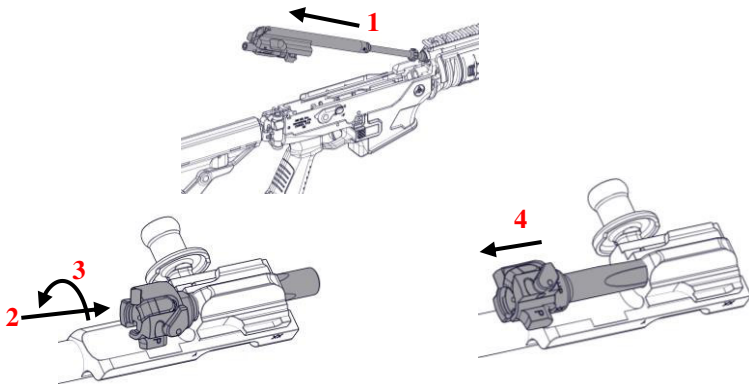


Figure 4-4: Bolt Carrier and Bolt Disassembly



Disassembling the Gas Cylinder

To disassemble the gas cylinder, perform the steps as follows (see Figure 4-5):

- a. Hold the end of the gas cylinder.
- b. Pull backwards and lift outside.

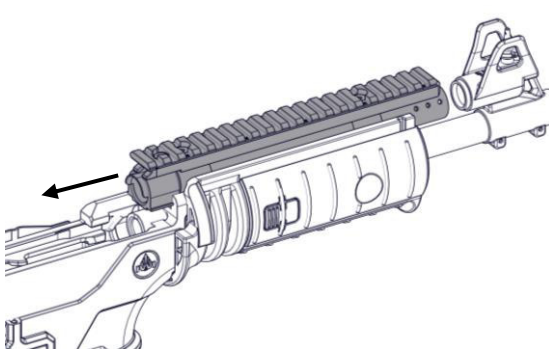


Figure 4-5: Gas Cylinder Disassembly



Assembling the Gas Cylinder

To assemble the gas cylinder, perform the steps as follows (see Figure 4-6):

- Lift the gas cylinder with your hand.
- Fit the tabs into the slot on the upper front edge of the receiver (above the chamber) and its front end into the opening below the front sight, then push forward.
- Make sure that the gas cylinder is properly fitted in the gas block and doesn't move.

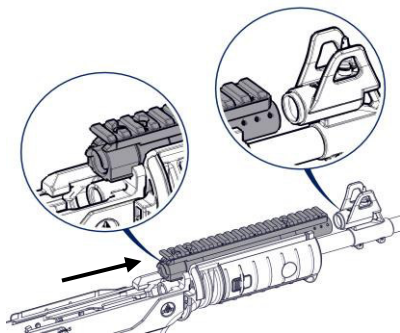


Figure 4-6: Gas Cylinder Assembly



Assembling the Bolt Carrier and Bolt

To assemble the bolt carrier and bolt, perform the steps as follows (see Figures 4-7, 4-8):

- Lift bolt carrier with one hand and the bolt with the other.
- Hold bolt carrier horizontally. Install the bolt inside the bolt carrier (1), pull it forward while it rotates until the bolt stops in the bolt carrier (2, 3).

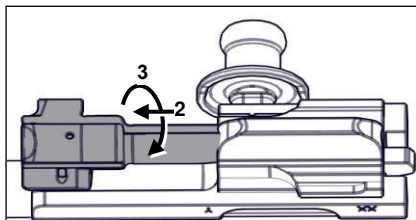
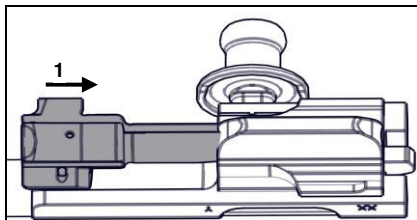


Figure 4-7: Bolt Carrier and Bolt Assembly

- c. While keeping the bolt in its forward position install bolt carrier group into the receiver by directing the piston towards the gas cylinder and the rear end towards its groove in the receiver. Push it all the way forward. (4).

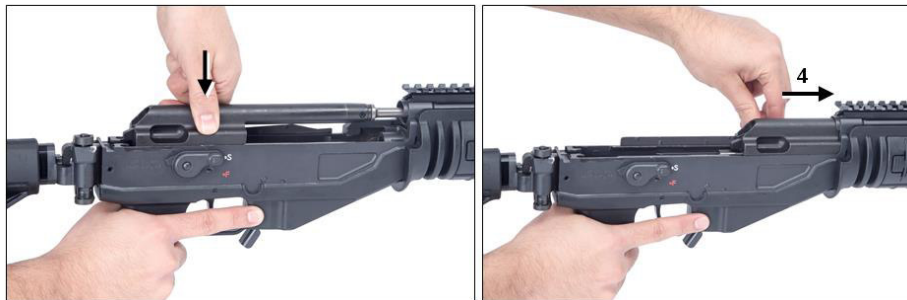


Figure 4-8: Installing the Bolt Carrier Assembly



Assembling the Return Spring

To assemble the return spring, perform the steps as follows (see Figure 4-9):

- Insert the front end into the opening at the rear of the bolt carrier.
- Push the rear of the recoil spring assembly forward of the rear portion of rear receiver wall. The bottom portion of the recoil assembly will rest against the wall; slightly depressed into the receiver.
- Make sure that the gas injection blocker is properly installed.

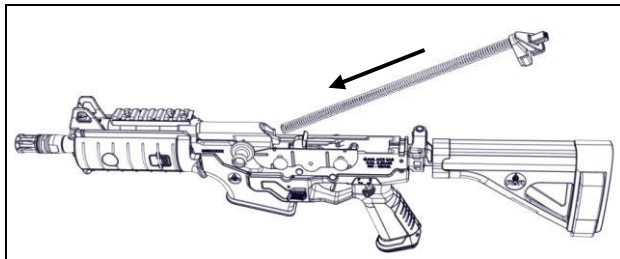


Figure 4-9: Return Spring Assembly



Assembling the Cover

To assemble the cover, perform the steps as follows (see Figures 4-10, 4-11):

- a. Fit the front edge of the cover rail into the slot of the rear part of the gas cylinder rail and force the rear of the cover in the slot at the rear of the receiver.

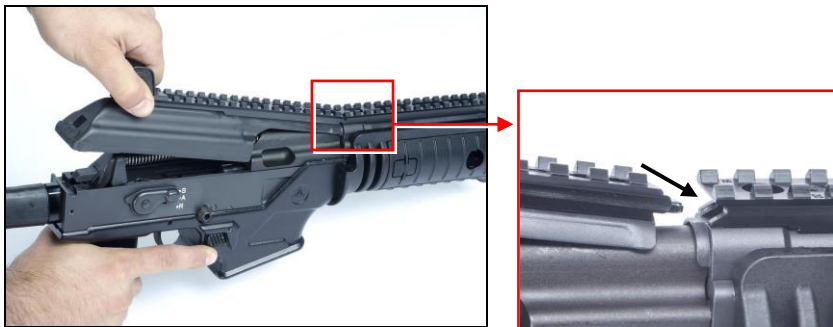


Figure 4-10: Cover Assembly (a)

- b. While holding the cover down, cock the bolt carrier, the cover catch will snap into place.



Figure 4-11: Cover Assembly (b)



Additional Disassembly and Assembly at Operator Level

Disassembling the Magazine

To disassemble the magazine, perform the steps as follows (see Figures 4-12, 4-13):



WARNING: Be sure to keep the magazine opening pointed away from your face. The magazine spring is under tension and will fly out.

- Hold the magazine with one hand (magazine base facing upwards).
- With the aid of a punch, push magazine base catch inwards (1) and push magazine base forward (2).
- Press spring plate with finger (3) and pull out the magazine base (4).

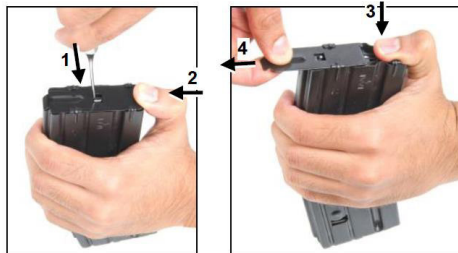


Figure 4-12: Magazine Disassembly

- d. Free the spring carefully (by rocking it sideways) and pull it out together with follower.



Figure 4-13: Disassembled Magazine



Assembling the Magazine

To assemble the magazine, carry out the above-mentioned operation in the reverse order.



Removing the 3 Rail Covers

To remove the 3 rail covers, perform the steps as follows (see Figure 4-14):

- a. Depress the rear of the locking tab firmly.
- b. After the tab is depressed, apply forward pressure onto the cover and slide the rail cover forward.



Figure 4-14: Removing the Rail Covers



Removing the Button

To remove the button, perform the steps as follows (see Figure 4-15):

Press on the button to remove it from the rail cover.



Figure 4-15: Removing the Button



Inserting the Button

To insert the button, perform the steps as follows (see Figure 4-16):

Insert the button into the rail cover from the inner side.

Make sure the button is mounted on the cover straight so that it can enter the rail.

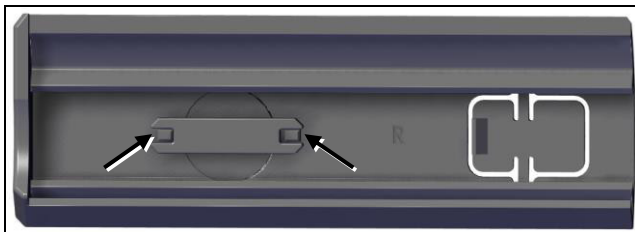


Figure 4-16: Inserting the Button



Inserting the Rail Covers

To insert the rail covers, perform the steps as follows (see Figure 4-17):

- Fit the rail cover to the matching rail (each cover fits only one rail).
- Push the rail cover all the way to the rear.
- Verify that the cover is locked in place.



Figure 4-17: Inserting the Rail Covers



Removing the Buttstock

To remove the buttstock, perform the steps as follows (see Figure 4-18):

- a. With the aid of zeroing key or punch, push the catch blocker on the buttstock (1) and while holding the blocker pressed, press on the buttstock catch all the way up (2).
- b. While pressing the buttstock catch, pull the buttstock backwards until it is off of the buttstock tube (3).

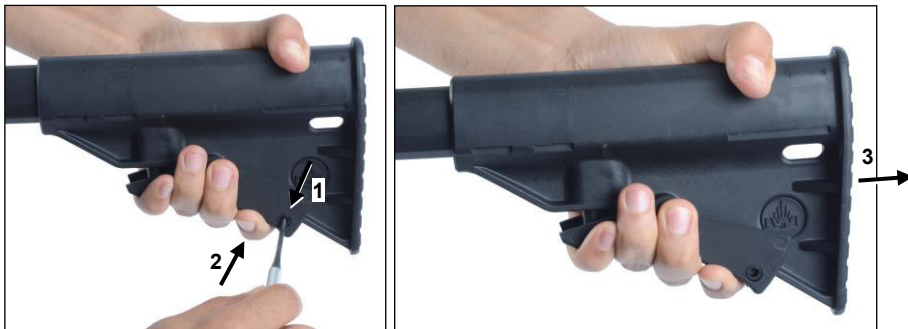


Figure 4-18: Removing the Buttstock



Inserting the Buttstock

To insert the buttstock, perform the steps as follows (see Figure 4-19):

- a. With the aid of zeroing key or punch, push the catch blocker on the buttstock (1) and while holding the blocker pressed, press on the buttstock catch all the way up (2).
- b. While pressing the buttstock catch pressed, push the buttstock forwards until it is on the buttstock tube (3).

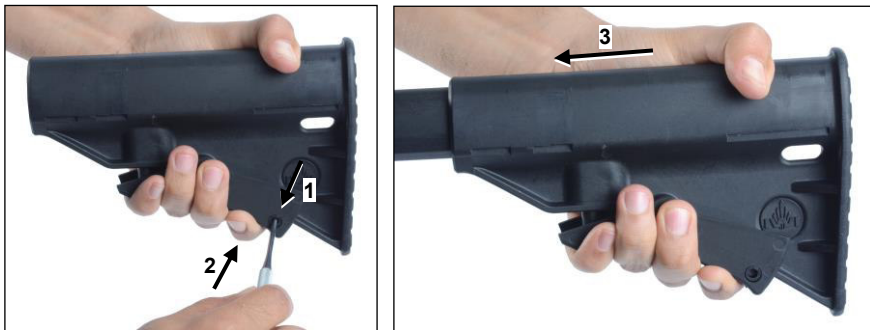


Figure 4-19: Inserting the Buttstock



Buttstock Length Adjustment

To adjust the buttstock length, perform the steps as follows (see Figures 4-20, 4-21, 4-22): Press on the buttstock catch (1) and adjust the length (2), verify that the buttstock catch is locked.



Figure 4-20: Buttstock Length Adjustment



Figure 4-21: Buttstock Catch Unlocked



Figure 4-22: Buttstock Catch Locked



Buttstock Folding

To fold the buttstock, perform the steps as follows (see Figure 4-23):

Push down (1) and fold the Buttstock (2).



Figure 4-23: Buttstock Folding



Installing the Cheek Rest

To install the cheek rest, perform the steps as follows (see Figures 4-24, 4-25, 4-26):
Put the cheek rest on the Buttstock and press it into place.



Figure 4-24: Installing the Cheek Rest



Figure 4-25: Cheek Rest Installed - Position 1



Figure 4-26: Cheek Rest Installed - Position 2



Removing the Cheek Rest

To remove the cheek rest, perform the steps as follows (see Figure 4-27):

Release the cheek rest “arms” from the Buttstock (1) and tilt the cheek rest to remove (2).

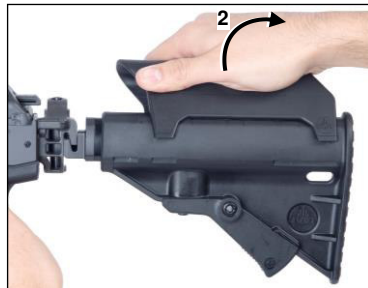
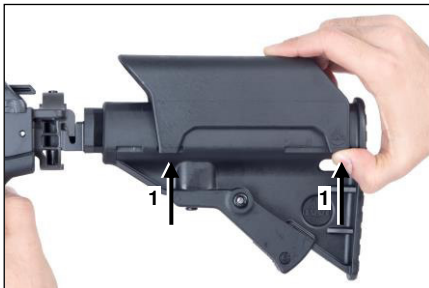


Figure 4-27: Removing the Cheek Rest



Removing the Rear Sight

To remove the rear sight, perform the steps as follows (see Figure 4-28):

- a. With the aid of zeroing key or punch, push the catch pin located on the bottom of the receiver cover, under the rear sight (1).
- b. Push the rear sight backwards until it is out of the rail (2).



Figure 4-28: Removing the Rear Sight



Inserting the Rear Sight

To insert the rear sight, perform the steps as follows (see Figure 4-29):

- a. Fit the rear sight on its rail.
- b. Push the rear sight forward until the catch pin locked in its niche.



Figure 4-29: Inserting the Rear Sight

Chapter 5: Preventive Maintenance



General

Experience shows that the majority of malfunctions are caused by improper maintenance of the weapon rather than mechanical defects.

Comprehensive knowledge of servicing and handling weapons is very important. Special attention must be paid to cleaning and lubricating the weapon.

To ensure proper functioning of the rifle, regularly perform the following:

- Clean the weapon bore and chamber thoroughly.
- Clean the gas block, gas cylinder and piston, and remove all carbon deposits.
- Clean and lightly lubricate the receiver and moving mechanism.
- Visually inspect; bolt surfaces, firing pin tip and extractor.



Pre-Firing Rifle Preparation

Prior to firing verify cleanliness of the weapon as follows:

- a. Field-strip the rifle.
- b. Wipe the disassembled parts, removing all traces of oil and dirt. Use a swab soaked with a suitable rust-preventive cleaning solution.
- c. Clean barrel bore using a pull through. Make sure the barrel is free of obstructions and excess oil.
- d. Assemble the rifle



Post-Firing Maintenance

Upon completion of firing, clean the weapon thoroughly (with special attention to the parts that are in contact with the exhaust gas).

Carbon and other deposits (such as, gunpowder residue) accumulate inside the bore and inner rifle parts causing corrosion.

Perform post-firing maintenance as follows:

- a. Field-strip the rifle.
- b. Clean bore with a cotton patch dipped in lubricant. Continue cleaning until the swab comes out clean.
- c. Clean the gas cylinder, removing all traces of carbon and other deposits.
Use a cotton patch dipped in lubricant, continue until the cotton patch comes out clean.
- d. "Ensure that the piston head is wiped off and completely dry".
- e. Clean the bolt carrier group using a cotton patch dipped in lubricant, continue until the cotton patch comes out clean.
- f. Clean the inner receiver and mechanism using a nylon brush.

- g. After cleaning, lightly oil the bolt, bolt carrier, inside of the receiver rails and the hammer/trigger assembly. Do NOT oil the piston or the gas cylinder.
- h. Clean external surfaces and other parts with a clean rag.
- i. After cleaning, use a cotton patch to apply a light coat of oil to the outer surface and other parts.
- j. Assemble the rifle.
- k. After verifying the weapon is unloaded, perform a function test of the weapon by placing the weapon on safe and attempting to pull the trigger. Place the weapon on fire and press the trigger. The hammer should fall. Hold the trigger to the rear and cycle the bolt. Slowly release the trigger until you hear and feel the hammer reset.



Maintenance under Extreme Conditions

1. Cold Climate Maintenance and Cleaning

When the temperature is below freezing all the moving parts of the weapon must be kept absolutely free from moisture. It is a well-known fact that excessive oiling of the moving parts will result in the oil coagulating and obstructing the action of the mechanism. Thus, ensure that you have a high quality weapons oil rated for extremely low temperatures.

2. Hot/Dry Climate Maintenance and Cleaning

In a hot and dry climate, sand and dust penetrate into the mechanism and barrel bore. The weapon must be cleaned daily and even several times a day. Dismantle the weapon on a user's level and clean thoroughly. When used in sandy areas, leave a thin layer of oil on the weapon to prevent the sand from sticking to the lubricant. Sand will cause stoppages and abrasions, which will cause malfunctioning of the mechanism.

3. Mud and wet conditions

In this case the oil is washed off, thereby increasing friction between the moving parts. In this case heavily lubricate the rifle, especially the contact surfaces between the moving parts and the receiver the bolt carrier and the bolt.

Chapter 6: Troubleshooting



General

This chapter provides troubleshooting and repair tables. For each symptom, the tables provide the probable reason, as well as remedy action instructions.



Immediate Action

If your rifle fails to fire, immediate action should be taken.

The immediate actions involve the following operations:

- **Tap** upward on the magazine with your hand to make sure it is properly seated.
- **Pull** the cocking handle all the way back, and watch for the ejection of cartridge.
- **If** cartridge or cartridge case is ejected release cocking handle to feed new round. Don't force the cocking handle.
- **Aim** and pull trigger. If the above immediate actions are repeated twice and rifle won't fire, take the following action:
- **Lower** rifle from shoulder and remove magazine.
- **Pull** cocking handle all the way back.
- **Locate** fault by inspecting the chamber and bolt carrier.
- **Fix** fault and continue firing.



Troubleshooting Table

Failure	Symptom	Probable Reason	Remedy
Fail to feed	Bolt stopped on rim "face", rim still stuck in magazine	Defective magazine	Replace if necessary
	Bullet tip stuck on ramp	Defective magazine	Replace if necessary
		Dirty magazine	Clean magazine
		Incomplete insertion of magazine	Reinsert the magazine
	Round was not chambered, bolt stopped on rim "face"	Defective magazine	Replace magazine if necessary
		Dirty magazine	Clean magazine
		Insufficient movement of bolt carrier to the rear	Clean rifle
		Weak return spring	Replace return spring (by gunsmith)
	Bolt is locked, but no round chamber or bolt stuck on the case body	Insuficeient energy	Clean rifle
		Defective magazine	Replace magazine

Failure	Symptom	Probable Reason	Remedy
Double feeding	Bolt pushes 2 rounds at the same time	Defective magazine lips (opened)	Replace magazine
Fail to lock	Incomplete locking	Dirty chamber	Clean rifle
		Defective ammunition	Replace ammunition
		Weak return spring	Replace return spring (by gunsmith)
Fail to extract	Empty case remains in chamber (sometimes with a torn rim)	Dirty chamber	Clean rifle
		Broken extractor	Replace extractor (by gunsmith)
		Weak extractor spring	Replace spring (by gunsmith)

Failure	Symptom	Probable Reason	Remedy
Fail to eject	Empty case remains in the rifle	Dirty chamber	Clean rifle
		Broken extractor	Replace extractor (by gunsmith)
		Weak extractor spring	Replace spring (by gunsmith)
Fail to fire	Round in chamber and hammer released none or weak indent on primer	Broken firing pin	Replace firing pin (by gunsmith)
		Weak or broken hammer spring	Replace hammer spring (by gunsmith)
		Faulty ammunition	If continues, replace ammunition

Limited Product Warranty

1. This Warranty is given by "IWI US, Inc." solely to the original purchaser (the "Purchaser") of IWI US, Inc.'s GALIL ACE® SEMI-AUTOMATIC RIFLES & PISTOLS (the "Product") for a period of 5 years commencing from the date of Product retail purchase (the "Warranty Period").
2. Subject to the limitations and exclusions contained below, IWI US, Inc. warrants the Product to be free from defects in design, materials and workmanship. Consequently, should any failure to conform to this Warranty be discovered and brought to the attention of IWI US, Inc. during the Warranty Period, and be substantiated by examination at IWI US, Inc.'s facility or by duly authorized and certified field personnel on IWI US, Inc.'s behalf, IWI US, Inc., at its sole option and free of charge, shall either repair, replace or refund the purchase price of any non-conforming Product.
3. This Warranty shall only apply provided that:
 - 3.1. The Product has been transported and stored, handled, maintained, operated and used properly; all in accordance with IWI US, Inc.'s instructions found in this manual.
 - 3.2. No changes, repairs or services were made to the Product by any party other than IWI US, Inc. or an authorized representative of IWI US, Inc.
 - 3.3. The Product was not damaged as a result of improper operation, misuse (whether intentional or otherwise), abuse, negligence, accident or flood, fire, earthquake or other external causes.

- 3.4. Only appropriate, non-defective new commercial ammunition was fired from the Product.
 - 3.5. The defective Product and/or defective parts shall have been returned by the Purchaser to IWI US, Inc. immediately upon request in conformance with IWI US, Inc.'s return procedures.
 4. This Warranty does not apply to:
 - 4.1. Maintenance, repair or replacement of parts due to normal wear and tear.
 - 4.2. Expendable items such as batteries (including battery leaks), bulbs, cleaning supplies and other consumables.
 - 4.3. Firing the product with an obstruction in the barrel.
 - 4.4. Any cosmetic damage that does not impede form, fit, and function of the Product.
 - 4.5. Products that show evidence of tampering.
 - 4.6. IWI US, Inc. does not warrant that the operation of the product will be uninterrupted, or error-free, or free of stoppages or malfunctions.
 5. In the event a Product returned to IWI US, Inc. is not defective in design, materials or workmanship or not returned within the Warranty Period, a test and evaluation charge, as determined by IWI US, Inc. will apply.
 6. No implied warranty is made to any accessory items attached or appurtenant to the Product.
-

7. IWI US, Inc. will be the sole determining evaluator and authority for adjudicating Warranty claims hereunder.
8. THE REPAIR, REPLACEMENT, OR REFUND AS PROVIDED HEREINABOVE IS THE SOLE AND EXCLUSIVE REMEDY OF THE PURCHASER, AND IS PROVIDED IN LIEU OF ALL OTHER WARRANTIES, EXPRESS OF IMPLIED, INCLUDING, WITHOUT LIMITATION, THE IMPLIED WARRANTIES OF MERCHANTABILITY, FITNESS FOR A PARTICULAR PURPOSE, NON-INFRINGEMENT, COURSE OF DEALING AND USAGE OF TRADE. IN NO EVENT SHALL IWI US, Inc. BE LIABLE TO PURCHASER, PURCHASER'S CUSTOMERS OR ANY THIRD PARTY, WHETHER IN CONTRACT OR TORT (INCLUDING NEGLIGENCE AND STRICT LIABILITY) FOR DAMAGES IN EXCESS OF THE PURCHASE PRICE OF THE PRODUCT, OR FOR ANY INDIRECT, INCIDENTAL, SPECIAL, PUNITIVE, OR CONSEQUENTIAL DAMAGES OR EXPENSES OF ANY KIND, OR PERSONAL INJURIES OR DAMAGE TO PROPERTY OF ANY KIND OR CHARACTER, OR LOSS OF REVENUE OR PROFITS, LOSS OF USE, LOSS OF BUSINESS, LOSS OF INFORMATION OR DATA OR OTHER FINANCIAL LOSS ARISING OUT OF OR IN CONNECTION WITH THE ABILITY OR INABILITY TO USE THE PRODUCT TO THE FULL EXTENT THESE DAMAGES MAY BE DISCLAIMED BY APPLICABLE LAW.
9. Some states do not allow the exclusion of consequential or incidental damages, so the above limitations may not apply to you.

Repair Services

If you need assistance with your firearm, please call +1717-695-2081, Monday through Friday, 8:30AM to 4:30PM US Eastern time and ask to speak to Customer Service. If it is determined that shipment of your firearm to IWI US, or an authorized IWI US, Inc. Service Center is warranted, please prepare and ship as follows:

1. Request a Return Authorization number (RA#) from the IWI US, Inc. Customer Service Representative. Please note that IWI US, Inc. will refuse return/repair shipments without a RA#.
2. Record the serial number of your firearm before packing and shipping.
3. Check to make sure your firearm is unloaded.
4. Remove all accessories from the firearm to prevent loss or damage. IWI US, Inc. will not be responsible for any loss or damage to non-IWI US, Inc. firearms or accessories.
5. Pack your firearm in the original box. If the original box is not available, pack your firearm in a box that will protect it from any handling and/or shipping damage. Be sure that there are no markings and/or words on the outside of the box that indicate there is a firearm inside the box. This will help to deter theft of the firearm while in-transit to IWI US, Inc.

6. Enclose a letter with the firearm detailing the model name and serial number of your firearm along with a full description of the problem. Be sure to include your full name and street address city and state, including zip code, daytime telephone number and email address.
7. Ship your firearm by UPS, FedEx or USPS (US Postal Service). IWI US, Inc. is not responsible for damage or loss during shipment, so you may elect to purchase insurance from the carrier. Ship to the following address:

IWI US, Inc.
Attn. Service Department
RA# _____
5480 Linglestown Road
Harrisburg, PA 17112



WARNING!

DO NOT SEND LIVE AMMUNITION OR SPENT (FIRED) SHELLS/CARTRIDGES IN YOUR FIREARM OR IN THE SAME BOX WITH YOUR FIREARM. THIS IS A VIOLATION OF FEDERAL LAW. IF YOU FEEL YOU MUST SEND SPENT (FIRED) SHELLS/CARTRIDGES, PLEASE SHIP THEM IN A SEPARATE PACKAGE AND INCLUDE A COPY OF THE LETTER THAT YOU PACKED WITH YOUR FIREARM.

Copyright © 2015 by IWI US, Inc.

In the interest of product improvement, its design and performance characteristics may be changed at any time without prior notice.

English Edition Printing April 1, 2015

CARDINAL RULES OF FIREARMS SAFETY

- Treat all guns as if they were loaded.
- Point the muzzle in a safe direction at all times. (A “safe direction” is one in which no one would be injured if the gun were to discharge.)
- Keep your finger off the trigger and outside the trigger guard until you are aimed at a safe target and intend to fire.
- Be sure of your target and what's around and beyond it.
- When you pick up a gun that, even for an instant, has been out of your direct, continuous control, while following the above rules, open the gun's action and determine whether or not the gun is loaded.
- All guns left unattended, even briefly, must be made inoperable or inaccessible to children and other unauthorized users.

IWI US, Inc. • P. O. Box 126707 • Harrisburg, PA 17112
Tel: +1 (717) 695-2081 • Fax: +1 (717) 412-0873 • service@iwi.us

WWW.IWI.US

