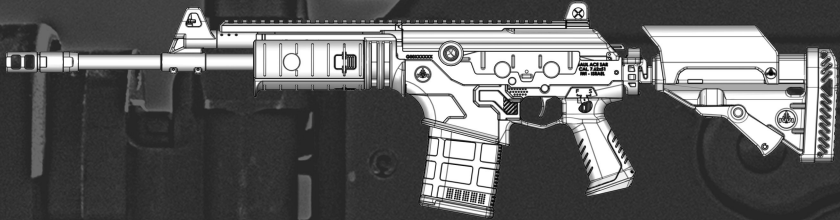


# GALIL ACE<sup>®</sup>

SEMI-AUTOMATIC RIFLE

CAL. 7.62X51MM (NATO)



## OPERATOR MANUAL



Read the instructions and warnings in this manual carefully and understand them before using this firearm. If there is anything you do not understand, seek advice from your retailer or someone qualified in the safe handling of firearms, or contact IWI US, Inc. at Tel: +1 (717) 695-2081 or [service@iwi.us](mailto:service@iwi.us)

---

This Operator Manual should always accompany this firearm and be transferred with it upon change in ownership, or when the firearm is loaned or transferred to another person.



*Congratulations on your purchase of the  
GALIL ACE® SEMI-AUTO RIFLE*

*Your packaging includes:*

1. *Sight Adjustment Tool (Zeroing Key).*
2. *1 - PMAG® 20 LR/SR GEN M3.*
3. *Literature Packet*
  - *This Manual.*
  - *NSSF Firearms Safety Depends on You Pamphlet.*
  - *NSSF Firearms Responsibility in the Home Pamphlet.*
  - *18U.S.C.§922(r) and 27CFRS478.39 Regulatory Compliance Notice (Rifle Only).*
  - *IWI US, Inc. Limited Product Warranty Card.*
  - *National Rifle Association (NRA) Application.*
  - *IWI Decal.*
4. *Gun Cable Lock.*
5. *Protective VCI Bag.*

*If you notice that anything is missing from the above list,  
please contact IWI US customer service at  
info@iwi.us or call Tel: +1 (717) 695-2081*

*We appreciate your business.*

*IWI US, Inc.*

## TABLE OF CONTENTS

<b>1</b>	<b>WARNING</b> .....	<b>4</b>
<b>2</b>	<b>This Manual Contains</b> .....	<b>6</b>
<b>3</b>	<b>Awareness Notices</b> .....	<b>7</b>
<b>4</b>	<b>Illustrations in This Manual</b> .....	<b>7</b>
<b>5</b>	<b>Dangerous Conditions</b> .....	<b>8</b>
<b>6</b>	<b>General Safety Rules and Procedures</b> .....	<b>10</b>
<b>7</b>	<b>Firearms Safe Home Storage Checklist</b> .....	<b>20</b>
<b>8</b>	<b>Instructions for Using the Cable Lock</b> .....	<b>22</b>
<b>9</b>	<b>Introduction</b> .....	<b>24</b>
9.1	General .....	24
9.2	Safety Regulations .....	25
9.3	Technical Data .....	26
<b>10</b>	<b>Rifle Function</b> .....	<b>27</b>
10.1	ACE Parts .....	28
10.1.1	Right External View .....	28
10.1.2	Left External View.....	29
10.2	Safeties .....	30
10.3	Trigger Mechanism Operation.....	31
10.3.1	Fire Selector Lever in Safe ("S") Position .....	31
10.3.2	Fire Selector Lever in Semi-Automatic Fire ("F") Position .....	32
<b>11</b>	<b>Firing Process</b> .....	<b>33</b>
11.1	Safety Inspection .....	33
11.2	Safety Inspection Procedures .....	33
11.3	Weapon Operation .....	34
11.3.1	Loading and Unloading the Magazine .....	34
11.3.1.1	Loading the Magazine .....	34

11.3.1.2	Unloading the Magazine.....	35
11.3.2	Inserting and Removing the Magazine.....	36
11.3.2.1	Inserting the Magazine .....	36
11.3.2.2	Removing the Magazine.....	37
11.3.3	Cocking and Loading the Rifle.....	38
11.3.4	Firing.....	39
11.3.5	Unloading the Rifle.....	39
11.4	Sights.....	40
11.4.1	Night Sights.....	40
11.5	Zeroing the Rifle.....	41
11.6	Sight Deviation Correction.....	42
<b>12</b>	<b>Disassembly/Assembly Authorized at Operator Level.....</b>	<b>43</b>
12.1	Operator Level Weapon Disassembly and Assembly – Field Stripping .....	44
12.1.1	Removing the Cover.....	45
12.1.2	Removing the Return Spring .....	46
12.1.3	Removing the Bolt Carrier and Bolt .....	47
12.1.4	Removing the Gas Cylinder.....	48
12.1.5	Installing the Gas Cylinder.....	49
12.1.6	Assembling the Bolt Carrier and Bolt .....	50
12.1.7	Installing the Return Spring .....	52
12.1.8	Installing the Cover .....	53
12.2	Additional Disassembly and Assembly at Operator Level .....	54
12.2.1	Disassembling the Magazine.....	54
12.2.2	Assembling the Magazine .....	55
12.2.3	Removing the 3 Rail Covers .....	56
12.2.4	Removing the Button.....	57
12.2.5	Inserting the Button .....	57
12.2.6	Inserting the 3 Rail Covers .....	58
12.2.7	Removing the Buttstock.....	59
12.2.8	Inserting the Buttstock.....	60

12.2.9	Buttstock Length Adjustment.....	61
12.2.10	Buttstock Folding .....	62
12.2.11	Installing the Cheek Rest .....	63
12.2.12	Removing the Cheek Rest .....	64
12.2.13	Removing the Rear Sight.....	65
12.2.14	Inserting the Rear Sight .....	66
12.2.15	Disassembling/Assembling the Bolt .....	67
12.2.15.1	Disassembling the Bolt .....	67
12.2.15.2	Assembling the Bolt.....	69
<b>13</b>	<b>Preventive Maintenance.....</b>	<b>71</b>
13.1	Pre-Firing Rifle Preparation .....	72
13.2	Post-Firing Maintenance .....	72
13.3	Maintenance under Extreme Conditions .....	74
13.3.1	Cold Climate Maintenance and Cleaning .....	74
13.3.2	Hot/Dry Climate Maintenance and Cleaning.....	74
13.3.3	Mud and wet conditions .....	74
<b>14</b>	<b>Troubleshooting .....</b>	<b>75</b>
14.1	Immediate Action.....	75
14.2	Troubleshooting Table.....	76
<b>15</b>	<b>Part List &amp; Exploded View.....</b>	<b>78</b>
15.1	GALIL ACE® 7.62x51 mm (NATO) - GAR1651.....	78
<b>16</b>	<b>Limited Product Warranty.....</b>	<b>79</b>
<b>17</b>	<b>Repair Services .....</b>	<b>82</b>

---

# 1 WARNING

---

**WARNING!**

PRIOR TO REMOVING THIS RIFLE FROM ITS PACKAGING, AND PRIOR TO HANDLING, LOADING AND FIRING, CAREFULLY AND THOROUGHLY READ AND UNDERSTAND THIS ENTIRE OPERATOR MANUAL WHICH GIVES ADVICE ON THE FIREARM'S PROPER HANDLING, FUNCTIONING AND SAFE USE. YOUR SAFETY AND THAT OF OTHERS (INCLUDING YOUR FAMILY) DEPENDS ON YOUR RESPONSIBLE COMPLIANCE WITH THAT ADVICE, GOOD JUDGMENT AND COMMON SENSE.

**FIREARMS SAFETY DEPENDS ON YOU.** YOU CANNOT FORGET, YOU CANNOT OVERLOOK, YOU CANNOT ALLOW YOURSELF TO BE DISTRACTED, YOU CANNOT BECOME COMPLACENT OR CASUAL WITH FIREARMS.

THERE ARE NO "FOOLPROOF" FIREARMS. ONCE A SHOT IS FIRED, IT CANNOT BE CALLED BACK. A FIREARM IN YOUR HANDS CAN CAUSE UNINTENDED DEATH OR SERIOUS BODILY HARM IF YOU FAIL TO FOLLOW SAFE GUN HANDLING RULES AND PRACTICES SUCH AS THOSE CONTAINED IN THIS MANUAL. **REMEMBER, FIREARMS SAFETY DEPENDS ON YOU!**

IF UNFAMILIAR WITH FIREARMS, SEEK SUPERVISED INSTRUCTION FROM A CERTIFIED INSTRUCTOR.



**WARNING!**

**18 U.S.C. § 922(r) and 27 CFR § 478.39**

Your GALIL ACE<sup>®</sup> rifle is assembled by IWI US, Inc. from parts made in Israel and the US and complies with all US laws and regulations governing the assembly of semi-auto rifles in the US from foreign and US parts.

**If you use a non-US made magazine in your GALIL ACE<sup>®</sup> rifle, you may be in violation of the above Federal regulations.**

**If you use a non-US made trigger, hammer, or disconnecter, you may be in violation of the above Federal regulations.**

When your GALIL ACE<sup>®</sup> rifle left the IWI US, Inc. factory, it was in compliance with the above regulations. It is your responsibility to insure continued compliance with these regulations once the GALIL ACE<sup>®</sup> rifle is in your possession.

WARNING

---

## 2 This Manual Contains

---

- Important **WARNINGS** and **SAFETY PRECAUTIONS** that must be read and understood before using this firearm. **SAFE GUN HANDLING IS YOUR PERSONAL RESPONSIBILITY AT ALL TIMES**. Disregarding the warnings and safety precautions in this manual can result in injury or death to you and others and damage to property.
- Directions and procedures for handling, loading firing, unloading, disassembling and assembling this firearm.
- Instructions for care, cleaning and repair of this firearm.

This Operator Manual is designed to help you in learning how to properly and safely use and care for your GALIL ACE®. Only when you are certain you have fully familiarized yourself with the function of your firearm, should you practice loading, unloading, and firing with live rounds of ammunition at a firing range or other safe location.

This Operator Manual should always accompany the firearm and be transferred with the firearm on change of ownership or possession. Should you ever need to replace it, this manual is available FREE upon request from IWI US, Inc. or on the IWI US, Inc. website at [www.iwi.us](http://www.iwi.us).



---

## 3 Awareness Notices

---

Throughout this manual, special references are made when deemed important. Four classifications are used to separate these references by their order of importance.



1 **DANGER!** Indicates an imminently hazardous situation which, if not avoided, will result in death or serious injury.



2 **WARNING!** Indicates a potentially hazardous situation which, if not avoided, could result in death or serious injury.



3 **CAUTION!** Indicates a potentially hazardous situation which, if not avoided, could result in minor or moderate injury or an unsafe practice that can lead to property damage.

---

4 **NOTE:** *notifies of particularly important information.*

---

---

## 4 Illustrations in This Manual

---

The illustrations in this manual may differ slightly from the actual product.

All illustrations in this manual relate to the right hand shooter configuration.

---

## 5 Dangerous Conditions

---



**WARNING!** Always have the headspace checked by a competent gunsmith with “Go” and “No-Go” gauges after replacing the bolt or barrel assembly. Failure to check the headspace may result in personal injury or death to you and others and could cause severe firearm damage.



**WARNING!** If your rifle misfires with a live round in the chamber of a hot barrel, immediately remove the round while keeping the barrel pointed in a safe direction and the ejection port turned away from your face.

If unable to remove the live round within 10 seconds, remove the magazine, keep the rifle pointed in a safe *area*, an area where no injury or property damage would occur if weapon discharged, and wait 15 minutes for the barrel to cool. Then remove the round.

Continuous or rapid firing of your rifle can cause the barrel temperature to reach a **“COOKOFF POINT”**, where the heat of the barrel can cause a live round to fire from remaining in contact with a hot chamber. If you have been firing continuously or rapidly, do not allow a live round to remain in the chamber when you finish firing, as it may **“COOK OFF”** (FIRE). Always keep your face away from the ejection port when clearing a hot chamber.



**WARNING!** Never fire your rifle with water, grease, excess oil, or any other obstruction in the barrel as this could cause the rifle to explode! Be sure the barrel is clear of obstructions before shooting.



**WARNING!** When firing and you experience a noticeable difference in sound or recoil, **STOP FIRING!** Keep finger off the trigger and point firearm in a safe area (see definition of safe area above). The cause for either condition could be incomplete powder burn, a cartridge with a primer but no powder (“SQUIB LOAD”) or too little powder, and/or a bullet stuck in the bore. Immediately unload the rifle and check for unburned powder residue in the bore and the receiver or a bullet stuck in the bore. Remove the unburned powder before resuming firing. If a bullet is stuck in the bore, have a qualified gunsmith take care of the problem. Never try to “SHOOT OUT” a bullet stuck in the bore. Firing with unburned powder in the barrel or a bullet stuck in the bore could cause the barrel to explode causing serious injury or death.

---

## 6 General Safety Rules and Procedures

---

### Cardinal Rules of Firearms Safety

- Treat all guns as if they were loaded.
- Point the muzzle in a safe direction at all times. (A “safe direction” is one in which no one would be injured if the gun were to discharge.)
- Keep your finger off the trigger and outside the trigger guard until you are aimed at a safe target and intend to fire.
- Be sure of your target and what's around and beyond it.
- When you pick up a gun that, even for an instant, has been out of your direct, continuous control, the first thing you must do, while following the above rules, is to open the gun's action (recoil mechanism) and determine whether or not the gun is loaded.
- All guns left unattended, even briefly, must be made inoperable or inaccessible to children and other unauthorized users.



**WARNING!** Careless and improper handling of this rifle could result in unintended discharge, causing injury, death or property damage. Safety must be the first and constant consideration when handling a firearm and ammunition. **SAFETY DEPENDS ON YOU.**



**WARNING!** This firearm was designed to function properly in its original condition. Do not alter any parts. Do not replace any parts unless you are factory-trained to do so and then use only original factory parts from IWI US, Inc.



**WARNING!** This firearm should always be carried with the chamber empty and with the safety “on safe” to prevent accidental discharge when not in use.

**Important Note:**

This Operator Manual and the instructions and warnings contained in it are intended for the civilian recreational user, target shooter, or hunter, and not necessarily for the law enforcement, security, military, or other “defensive” user. Defensive use of this or any other firearm involves unusual, serious risks, and may at times require deviation from certain safety rules and firearms handling procedures contained in this manual. Such defensive procedures and deviations are beyond the scope of this manual. In order to use such defensive procedures safely requires intensive initial training and qualification from a proper professional source, followed by “in service” training and qualification at appropriate intervals. Anyone who has not been properly and professionally trained in defensive firearms handling procedures must not attempt to use this firearm in any manner other than as set out in this Operator Manual. Doing so can result in serious injury or death.



**WARNING!** Always handle and treat your firearm as if it were loaded so you will never fire it accidentally when you mistakenly think it is unloaded. Never take anyone's word that it is unloaded. Always check it yourself with your fingers off the trigger and the rifle pointed in a safe direction. Visually and physically inspect the chamber and magazine well to ensure the rifle is free of ammunition. Even after you have confirmed that the rifle is unloaded, continue to treat it as if it were loaded.



**WARNING!** Never place your finger on the trigger unless you are aiming at a proper target and intend to fire. Instead, keep your trigger finger off the trigger, superior to the trigger guard, straight alongside the frame of the rifle until you intend to fire. Do not pull the trigger or attempt to fire until the safety selector has been moved to the FIRE position.



**WARNING!** Upon firing, a hot, empty shell casing is forcefully ejected from the ejection port. All persons present must wear suitable eye protection, and must stand clear of the case ejection area.



**WARNING!** If your finger is on the trigger or inside the trigger area, you may unintentionally discharge the firearm if you are startled, if you lose your balance, if you exert muscular force with your other hand or arm or with either leg, or if something comes in contact with your hand, arm, or the gun. Always keep the safety “ON SAFE” and your trigger finger outside the trigger area, straight alongside the rifle’s frame, superior to the trigger guard, until you intend to fire.



**DANGER!** DO NOT grasp the forward portion of the trigger guard/pistol grip frame with your non-shooting hand or allow any fingers of your non-shooting hand to enter the trigger guard at any time. If you do so, there is a chance your non-shooting hand or fingers could touch the trigger, unintentionally firing the firearm and resulting in death or serious injury.



**WARNING!** Keep the gun's muzzle pointed in a safe direction at all times. A safe direction is one in which an unintentionally fired shot will not cause any physical injury or property damage. Never let the muzzle of a firearm point at any part of your body or another person, or in any direction where an injury may result if the rifle were to fire. Always be sure of your target and what's beyond and around it before firing.



**WARNING!** Always make sure your firearm is not loaded before cleaning, storing, transporting or handing it to another person. Firearms should be transported unloaded and in a protective rifle case.



**WARNING!** Whenever you pick up any firearm that, even for an instant, has been out of your direct, continuous control, the first thing you must do, while keeping the muzzle pointed in a safe direction and your fingers out of the trigger area, is to open the firearm's action (recoil mechanism) to determine whether or not it is loaded by visually and physically inspecting the chamber and magazine well.



**WARNING!** Always wear and require others to wear wraparound ANSI or OSHA approved safety glasses while shooting to protect your eyes from injury by ejected shell cases, gun powder gas, lubricant, dirt or metallic particles, carbon residue, sparks, bullet splashback from targets or other debris.





**WARNING! UNLOAD ALL FIREARMS WHEN NOT IN USE. NEVER STORE A LOADED FIREARM.**

Firearms and ammunition should be stored separately under lock and key so that they are inaccessible to children or unauthorized users.

Never leave a loaded firearm, or any firearm or ammunition, unattended where an unauthorized user might have access to it. At the range, any firearm you lay down on the shooting bench should be unloaded, with its action locked open. Never lean or place a firearm where it could slide or fall, such as leaning it against or placing it on a vehicle.

Never let the muzzle of a firearm touch the ground, or touch mud, sand or snow that might obstruct the bore, causing the barrel to burst when you fire. If you drop a firearm, pick it up carefully with it pointed in a safe direction (have all other people move out of the direction of the muzzle), with your finger outside the trigger area and the safety in the "ON SAFE" position. Then unload the firearm, and check to be sure there are no obstructions in the bore. This can be done safely with a cleaning rod, or by disassembling the firearm and looking down the bore from the chamber (rear) end. If there is any possibility of damage to your GALIL ACE<sup>®</sup>, have it inspected by a qualified gunsmith, or return it to IWI US, Inc. for inspection, before you load or fire it again.



**WARNING!** Always wear and require others to wear commercially manufactured ear protection when shooting. Without ear protection, the noise from your gun, and other guns close to you, could leave a "ringing" in the ears for some time after firing, and could result in permanent hearing loss.



**WARNING!** Learn the mechanical and handling characteristics of the firearm you are using. Not all firearms are the same, and your GALIL ACE® firearm has some unique features. Do not assume that just because you have experience with other firearms, you know how to use the GALIL ACE® firearm properly. Read and understand this manual. If there is anything you do not understand, contact your firearms retailer or IWI US, Inc. at [service@iwi.us](mailto:service@iwi.us) or telephone Tel: +1 (717) 695-2081.



**WARNING!** Never climb or descend a tree, fence or wall, jump across a stream or ditch, or attempt to cross an obstacle, ice, or precarious terrain while carrying a loaded firearm. Whenever you are going to do anything awkward, unload the gun first!



**WARNING!** Do not shoot at a hard surface, such as rock, masonry or metal, or at water or ice. The bullet may ricochet and travel in unpredictable directions to strike you or another unintended person or object, or even an object that you cannot see.



**WARNING!** A bullet fired into the air can travel over one mile, and can kill or seriously injure someone when it comes down. A pistol bullet fired into the air can travel several miles, and can cause similar injury when it comes down. Never fire into the air, or at a target or animal in a tree or on the crest of a hill.



**WARNING!** Before hunting with this or any other firearm, take an approved Hunter Safety Course, taught in all states by the state game commission or by the National Rifle Association (NRA). Follow your state's game laws at all times while hunting.



**WARNING!** Firing a rifle near livestock or other domestic animals may startle them and cause them to injure themselves, other animals, or people, or to cause property damage. Think first before you discharge any firearm.



**WARNING!** If you have not received formal firearms instruction or if you have any doubts about your ability to handle or use this firearm safely, seek supervised instruction from a certified instructor. Information about sources of firearms instruction can often be obtained from your local police department, firearms retailer, gun club, shooting range, state game commission, or from the National Rifle Association ("NRA"), 11250 Waples Mill Road, Fairfax, Virginia 22030, telephone 1-703-267-1000 or 1-800-672-3888.



**WARNING!** Horseplay has no place around firearms. Guns can't think – you can!  
**SAFETY DEPENDS ON YOU!**



**WARNING!** Remember, safety is your responsibility. Be a safe shooter. **SAFETY DEPENDS ON YOU!**



**WARNING! FOLLOW THE LAW.** Obey all local, state and federal laws regarding possessing, storage, shooting and transporting your firearm.



**WARNING!** If at any time you notice something about the appearance or functioning of your GALIL ACE<sup>®</sup> firearm that does not seem proper or that causes you concern, STOP, unload your firearm immediately, and do not load or fire your firearm until you have it inspected and, if necessary, repaired by a factory-trained armorer, or by IWI US, Inc. If you fire your GALIL ACE<sup>®</sup> firearm extensively, have it professionally inspected and serviced periodically (annually is a good average interval) by a factory-trained armorer or by IWI US, Inc.



**WARNING!** Firearms and alcohol do not mix. Never drink alcoholic beverages or take drugs before or during shooting. This constitutes criminal disregard for your safety and that of others. Some medications can impair your vision, balance, reflexes, coordination, alertness or judgment. Never use a firearm while you are taking medication unless you have checked with your doctor to ensure your fitness to handle your firearm safely. Do not handle your firearm when you are ill, tired, upset or distracted.



**WARNING!** Discharging firearms in poorly ventilated areas, cleaning or handling firearms, or handling ammunition may result in exposure to lead and other substances that may cause birth defects, reproductive harm, and other serious physical injury. Have adequate ventilation at all times. Wash your hands and face thoroughly after exposure, and before eating or drinking. Shooting, handling or cleaning guns may expose you to lead, which is a toxic substance.

**REMEMBER, FIREARMS SAFETY DEPENDS ON YOU!  
THERE ARE NO “FOOLPROOF” GUNS, INCLUDING THE  
GALIL ACE®. A SINGLE MOMENT OF INATTENTION OR A  
SINGLE FAILURE TO FOLLOW THESE FIREARMS SAFETY  
RULES AND WARNINGS CAN RESULT IN TRAGEDY. YOU  
ARE RESPONSIBLE FOR THE GUN THAT IS IN YOUR  
HANDS, IN YOUR POSSESSION, OR UNDER YOUR  
CONTROL. FIREARMS SAFETY DEPENDS ON YOU!**

---

## 7 Firearms Safe Home Storage Checklist

---

- Firearms naturally attract the attention of children, teenagers and adults alike. Accordingly, it is YOUR responsibility to ensure that your firearms, when unattended, stored, or not in use, are secured under lock and key, safely out of the access of all unauthorized users. This is YOUR responsibility, and any mistake or laziness on your part can result in death or serious injury to your loved ones or others.
- Firearms must be securely stored under lock and key in a location inaccessible to children and other unauthorized persons.
- One of the safest ways to store your firearms is in a locking metal gun safe or lock box. Many models, including ones permitting quick access to the firearm if needed for self-defense, are now available at firearms retailers or via the Internet. Using the cable lock provided with your GALIL ACE<sup>®</sup> SEMI-AUTOMATIC RIFLE (see “Instructions for Using the Cable Lock” on page 22) is a good safety precaution, but not as good as locking your firearm in a metal gun safe, where it is also out of sight and protected from fire, theft, and curious hands.
- Firearms should be unloaded before they are brought into the home and never loaded while in the home.
- Sporting firearms should be immediately cleaned and placed in secure locked storage when they are returned from hunting or target shooting.
- When firearms are removed from storage, they must always immediately be carefully checked to confirm that they are unloaded.

- Ammunition should be stored under lock and key, in a separate location from firearms.
- The operator manual that came with your firearm must be read, understood and followed.

For more information on safe storage and use, refer to the NSSF pamphlets “**Firearms Safety Depends on You**” and “**Firearms Responsibility in the Home**”, available for download from the NSSF website at <http://nssf.org>.

---

## 8 Instructions for Using the Cable Lock

---

Your GALIL ACE<sup>®</sup> rifle is supplied with a quality cable lock. Properly used, this lock will help you to secure your firearm from children and other unauthorized users to reduce the chance of an accident, either in the home or while transporting your firearm, provided you take the other reasonable safety precautions contained in this Operator Manual.



**WARNING!** NEVER attempt to use the cable lock on a loaded firearm - always unload the firearm before installing the cable lock. Otherwise, the firearm could discharge, causing death or serious injury.



**WARNING!** NEVER insert the cable lock into the trigger guard or trigger area of the GALIL ACE<sup>®</sup> or any other firearm, as the cable could press against the trigger and fire the gun, causing death or serious injury.



**WARNING!** The cable lock supplied with your GALIL ACE<sup>®</sup> rifle may not fit or work properly on other firearms. This lock is intended for use only on your GALIL ACE<sup>®</sup> rifle.

To use the cable lock, do the following:

Be sure your firearm is empty (unloaded) by following the **Safety Inspection Procedures** on page 33.

Your GALIL ACE<sup>®</sup> should now be unloaded, with the safety lever on Safe ("S") position.





**WARNING!** Keep the muzzle pointed in a safe direction, your fingers outside the trigger guard, and the safety lever on Safe ("S") position throughout the process of putting the cable lock on your rifle.

Using the key, open the cable lock. Leave the key in the lock.

Insert the end of the cable lock cable through the ejection port and out through the empty magazine well.

Insert the end of the cable lock cable into the lock body and hold the end of the cable fully into the lock body while you turn and remove the key to lock the lock.

Tug hard on the cable several times to be sure the lock is locked securely.

Used in this way, the cable lock will prevent the GALIL ACE® bolt carrier from closing, preventing the rifle from being fired.

Take the key with you, or store the key securely in a remote location from the firearm.

Store your firearm in a secure place out of sight, and out of reach of children.

---

*NOTE: While the cable lock can be an important part of your firearms security program, for home storage it is not as secure as locking your gun in a metal gun safe or lock box. Use of the cable lock alone will not prevent your firearm from being stolen, and will not keep your firearm out of view of unauthorized users. The cable lock can be cut off the firearm with a hacksaw, bolt cutter or cable cutter.*

---

---

## 9 Introduction

---

### 9.1 General

The GALIL ACE® offers the ultimate solution, comprising a modern and reliable weapon with a 7.62x51 mm caliber.

The GALIL ACE® is based on the reliable mechanism of the famous Galil assault rifle. The Ace incorporates enhanced engineering and advanced ergonomics.

The GALIL ACE® is combat proven and is one of the most reliable weapons under adverse and extreme conditions.

The GALIL ACE® is a lightweight, air-cooled, gas-operated, magazine-fed, shoulder, hand or hip fired weapon.

The GALIL ACE® has a "semi-automatic" firing mode only.

The GALIL ACE® is easy to operate. The fire selector lever and magazine catch may be operated from either side of the weapon for the right or left-handed user.

The GALIL ACE® has 4 Picatinny rails that allow you to install a wide variety of accessories: flashlight, sight, telescopic sight, bipod and more.

The buttstock on the GALIL ACE® can be adjusted for different firing position.

## 9.2 Safety Regulations

1. Ensure that the fire selector is on Safe ("S") position whenever:
  - Firing is terminated
  - Rifle is being transported or moved
  - Rifle is not in use

2. Never point the weapon at anyone, even if you are sure the weapon is unloaded.
3. Always keep your shooting finger out of the trigger guard and indexed along the side of the frame, unless you have made the decision to shoot.

4. Ammunition warning:

Use only high quality commercially manufactured ammunition in good condition of the appropriate caliber. The caliber of your rifle is marked on the receiver. Use only NATO or ammunition made to SAAMI specifications.

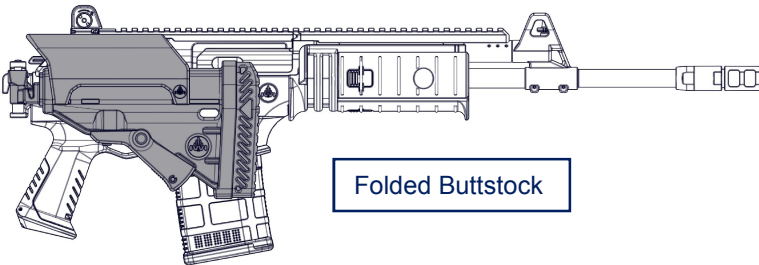
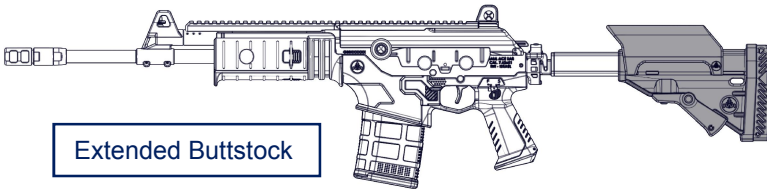
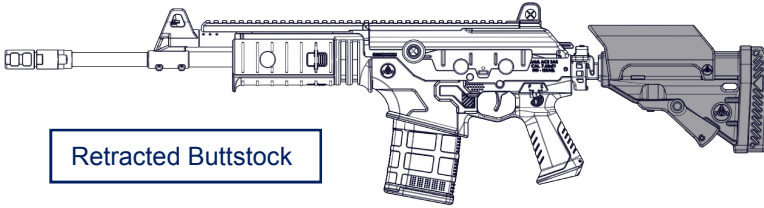
Not all ammunition produces the same result. IWI US, Inc. recommends that once you find a brand which functions best in your ACE, keep using it.

IWI US, Inc. does not recommend using hand loads, reloads or remanufactured ammunition, or foreign or military surplus ammunition of unknown or questionable quality. The use of this ammunition will void the IWI US, Inc. warranty, and may be dangerous, possibly causing death or serious injury if the ammunition is not made to the proper specifications.

### 9.3 Technical Data

The following table displays the technical data for the GALIL ACE®:

<b>Item</b>	GAR1651
<b>Cal.</b>	7.62 X 51mm (NATO)
<b>Method of operation</b>	Gas on piston head, Rotating bolt
<b>Mag</b>	1 - PMAG® 20 LR/SR GEN M3
<b>Mode of fire</b>	Semi-automatic
<b>Length (Butt Retracted)</b>	36.2"
<b>Length (Butt Extended)</b>	39.4"
<b>Length (Butt Folded)</b>	27.8"
<b>Barrel</b>	16"
<b>Weight</b>	8 Lb. w / o Mag
<b>Note</b>	Side Folding Adj. Buttstock
<b>Forearm</b>	Tri-Rail w / Covers
<b>Muzzle velocity (approx.)</b>	2620 (feet/sec)
<b>Barrel Rifling</b>	4 R.H. grooves, 12" twist
<b>Sight</b>	Adjustable w / Tritium Post



---

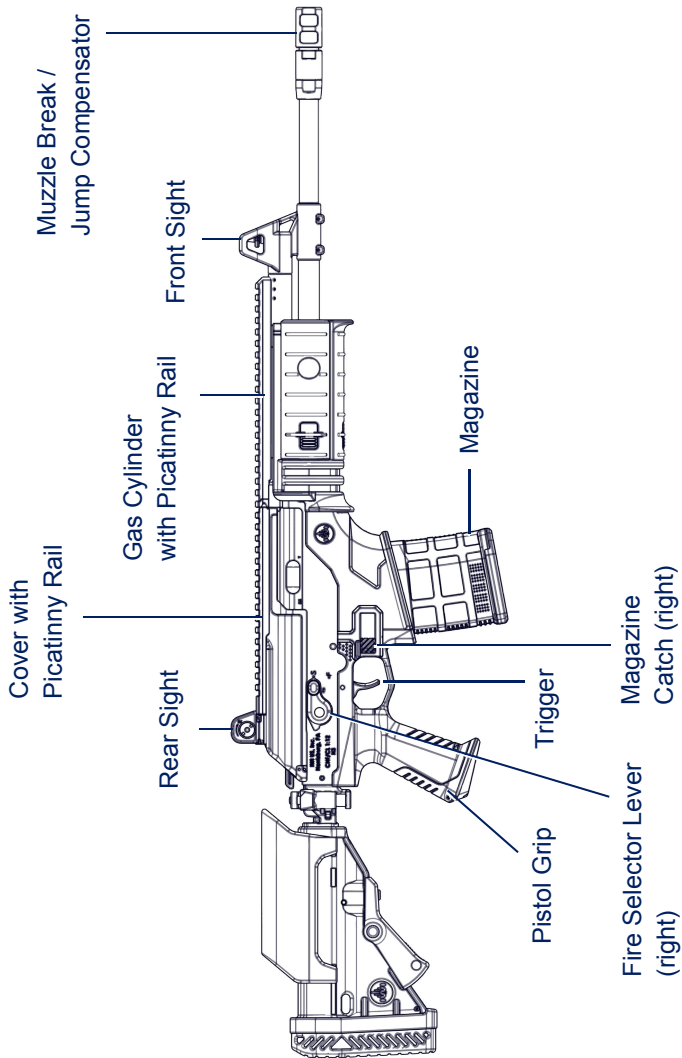
## 10 Rifle Function

---

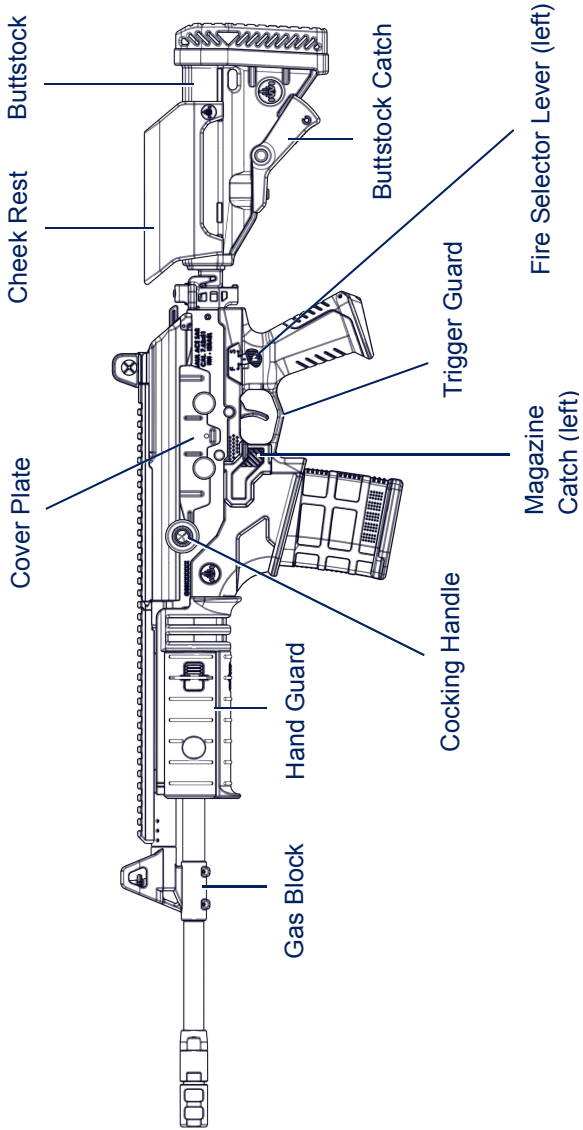
This chapter explains the ACE parts, safeties and trigger mechanism.

## 10.1 ACE Parts

### 10.1.1 Right External View



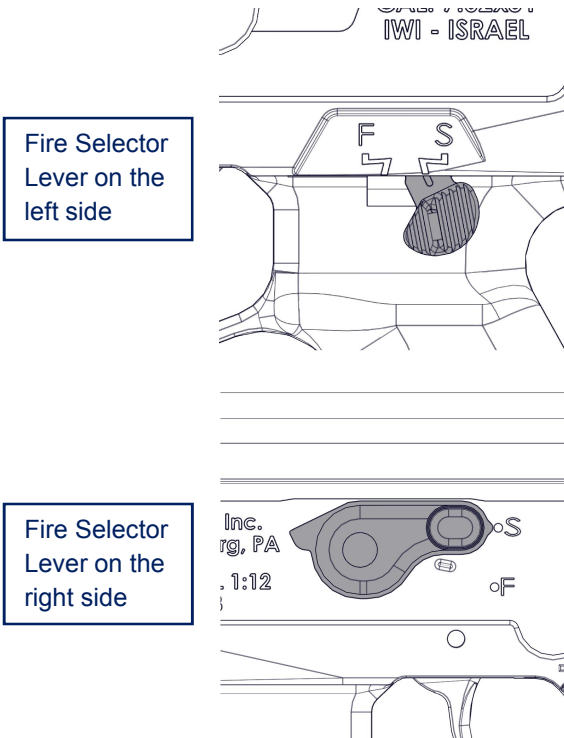
## 10.1.2 Left External View



## 10.2 Safeties

The ACE is equipped with mechanical safeties that prevent unintentional firing:

1. Manual safety – in Safe ("S") position, the trigger is blocked by the safety catch, thus preventing the release of the hammer.
2. No hammer/firing pin engagement, unless the bolt is completely locked.
3. Firing pin spring – prevent primer activation due to firing pin inertia in normal firing or if the rifle is dropped.



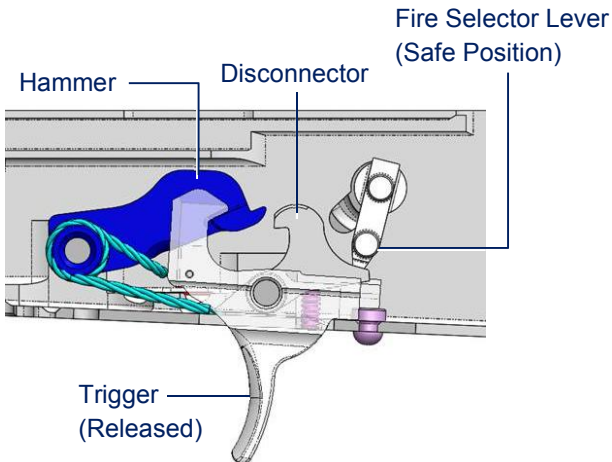
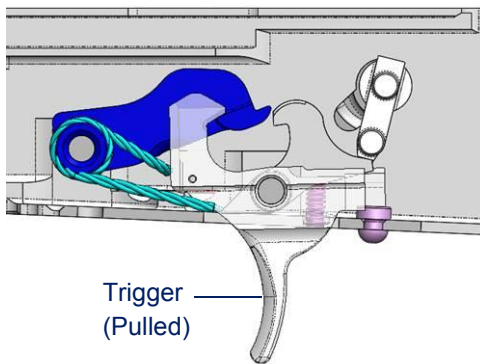


### 10.3 Trigger Mechanism Operation

The mechanism comprises the following components: trigger, disconnecter, hammer, fire selector and springs.

#### 10.3.1 Fire Selector Lever in Safe ("S") Position

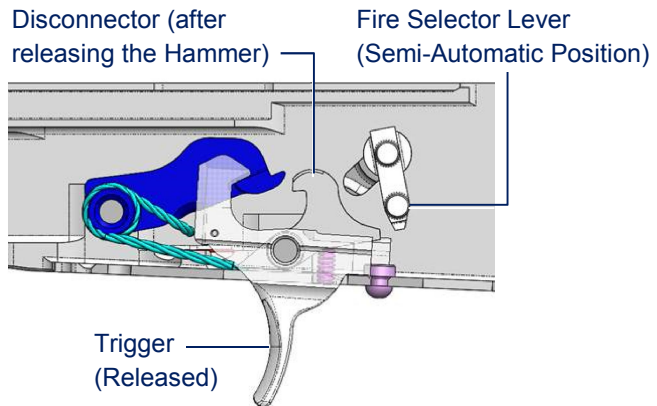
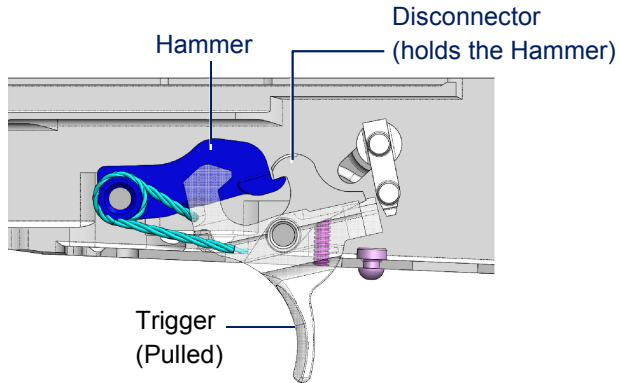
In this position the fire selector is located above the rear end of the trigger preventing its movement and thus the release of the hammer.



### 10.3.2 Fire Selector Lever in Semi-Automatic Fire ("F") Position

In this position the fire selector does not engage on either the trigger or on the disconnecter. The rotational movement of the trigger causes the release of the hammer. After the firing, while the trigger is still pulled the disconnecter catches the hammer.

In order to fire another round the trigger must first be released. When releasing the trigger the disconnecter releases the hammer, which, in turn, is engaged immediately by the trigger sear. Pulling the trigger causes the release of the hammer from the trigger sear, thus hitting the firing pin.



---

# 11 Firing Process

---

This chapter contains safety, operating and firing procedures.

## 11.1 Safety Inspection

A safety inspection must be performed:

1. When receiving and handing over the rifle.
2. After using live ammunition.

## 11.2 Safety Inspection Procedures

Perform the safety inspection procedures as follows:

1. Ensure that the fire selector lever is on Safe ("S") position.
2. Ensure there is no magazine in the weapon.
3. Move fire selector to Semi-automatic ("F") position.
4. Pull and hold the cocking handle to rear position.
5. Visually and physically check the barrel chamber to ensure that it is empty.
6. Release the cocking handle.
7. Move fire selector to Safe ("S") position.

## 11.3 Weapon Operation

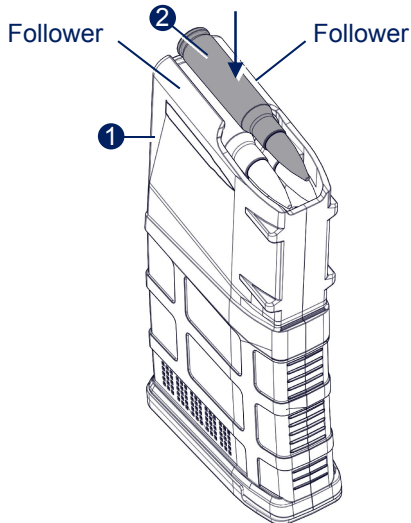
The following sections describe the weapon operation

### 11.3.1 Loading and Unloading the Magazine

#### 11.3.1.1 Loading the Magazine

To load the magazine, perform the steps as follows:

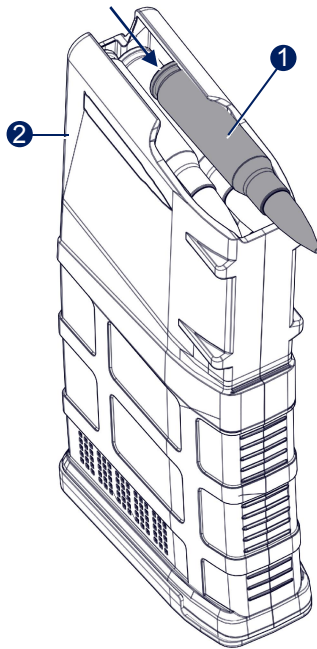
1. Hold the magazine **1** with your hand (follower facing up).
2. Hold the round **2** with your other hand.
3. Place the round **2** on the follower, or the upper round in the magazine with the tip of the round facing to the front of the magazine.
4. Press round down **2** with your thumb past the feed lips.



### 11.3.1.2 Unloading the Magazine

To unload the magazine, perform the steps as follows:

1. Push the upper round **1** forward and slide round of magazine **2**.
2. Repeat this process until the magazine **2** is empty.

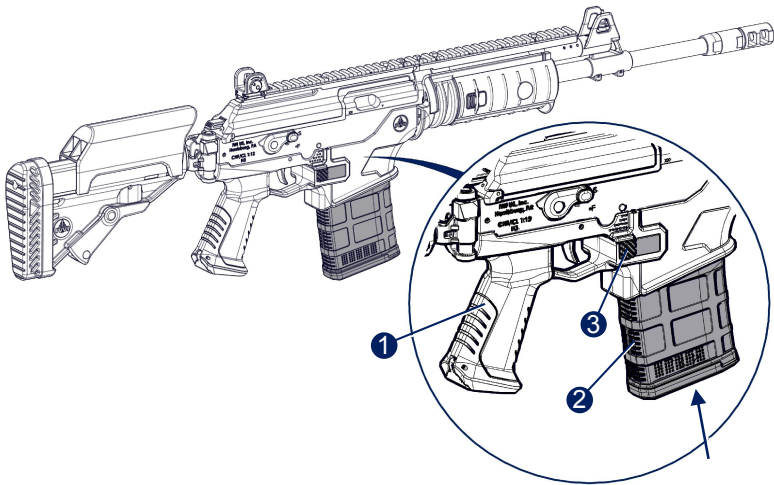


## 11.3.2 Inserting and Removing the Magazine

### 11.3.2.1 Inserting the Magazine

To insert the magazine, perform the steps as follows:

1. While inserting the magazine, point the rifle in a safe direction and ensure that the fire selector lever is on Safe ("S") position.
2. Hold the pistol grip **1** with one hand.
3. Hold magazine **2** with the other hand and insert magazine into the magazine opening until you hear magazine catch **3** snap into place. Pull down on the magazine to ensure it is properly seated.



### 11.3.2.2 Removing the Magazine

To remove the magazine, perform the steps as follows:

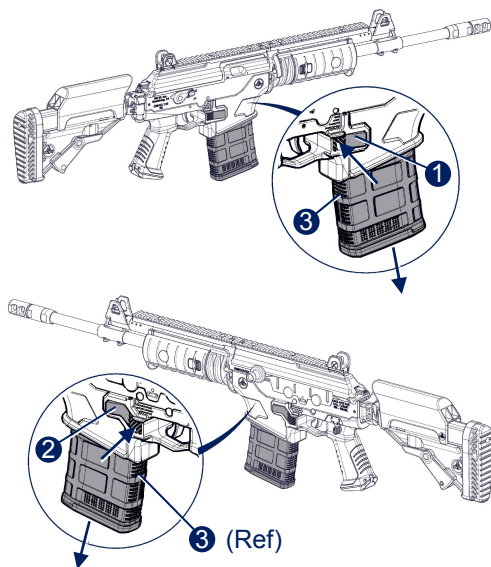
1. Point the rifle in a safe direction and place the rifle on "Safe".
2. Press on the magazine catch (right **1** or left **2**) with the index (shooting) finger and pull out the magazine **3**.
3. Cycle the charging handle to ensure rounds are ejected from the chamber.

---

*NOTE: If hammer is in the forward position the fire selector must be in the "F" position before the charging handle can be pulled to the rear.*

---

4. Physically and visually inspect the chamber to ensure chamber is empty.



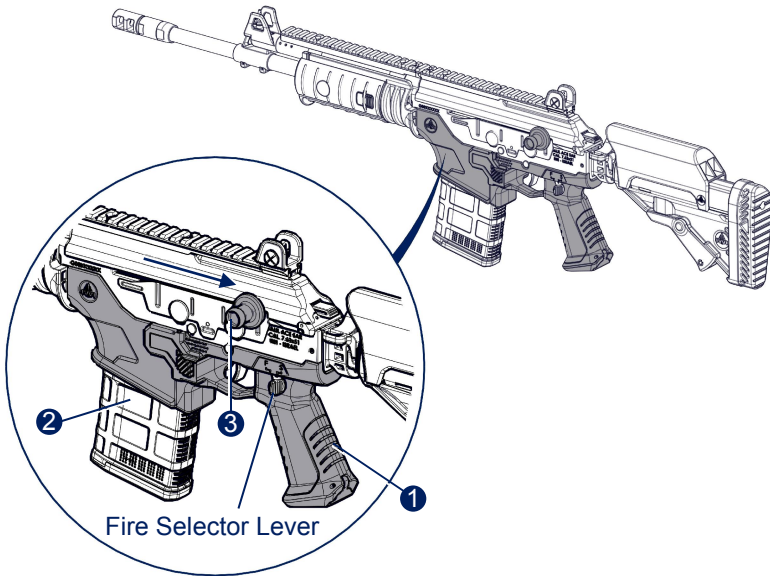
### 11.3.3 Cocking and Loading the Rifle

To cock and load the rifle, perform the steps as follows:

1. Point weapon in a safe direction and move fire selector to "F" fire position.
2. While still holding rifle's pistol grip **1** (after inserting magazine **2**), pull the cocking handle **3** all the way to the rear, then release instantly.

This action will cause one round to be pushed from the magazine into the chamber. The rifle is now loaded.

3. Move the fire selector lever to the Safe ("S") position.





### 11.3.4 Firing

To fire, perform the steps as follows:

1. Ensure rifle is pointed at intended target and proper sight picture/sight alignment has been achieved.
2. Move fire selector lever to Semi-automatic ("F") position.
3. Hold rifle firmly with both hands, aim and press the trigger.

When firing "semi-automatic" the trigger must be released and pressed again in order to fire the next round.



**WARNING!** In some types of magazines, after firing the last round, the bolt carrier will occasionally stop its movement forward on the magazine follower, giving it the effect of a "last round catch" mechanism. To release it, release the magazine until the bolt carrier can pass freely.

### 11.3.5 Unloading the Rifle

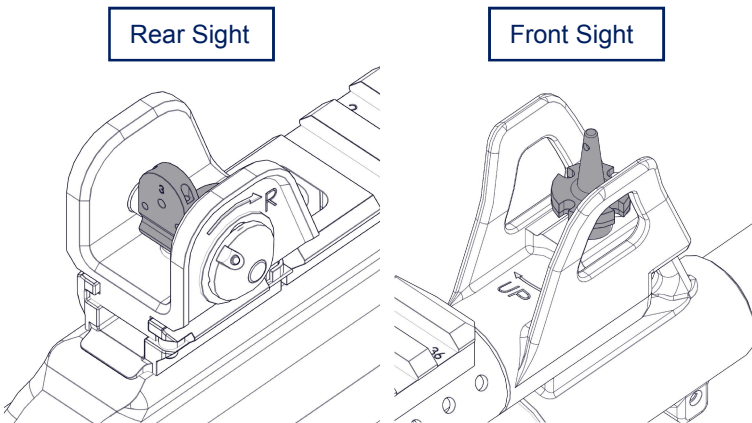
To unload the rifle, perform the steps as described in section "Safety Inspection Procedures" on page 33.

## 11.4 Sights

The front sight is a post, adjustable for elevation.

The rear sight is an aperture, "L" flip-type, adjustable for windage and set for the following ranges:

- 0–300 meter range
- 300–500 meter range



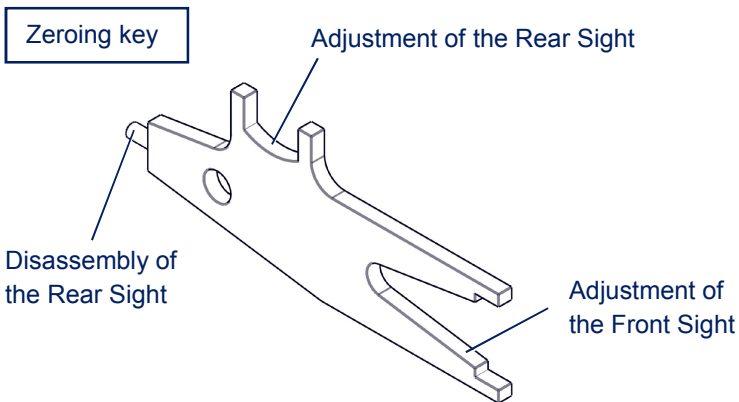
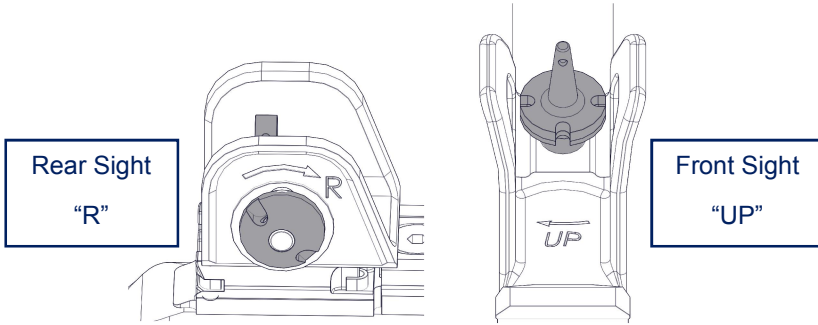
### 11.4.1 Night Sights

The Beta Lights (Tritium Gas) are built-in into the sights. There are two spots at the rear sight and one at the front sight.

## 11.5 Zeroing the Rifle

In order to adjust your sights, follow the marked symbols:

<b>Rear Sight</b>	"R"	Rotating the screw in the arrows direction will move the Mean Point of Impact (MPI) to the right.
<b>Front Sight</b>	"Up"	Rotating the sight in the arrows direction will move the MPI upward.



## 11.6 Sight Deviation Correction

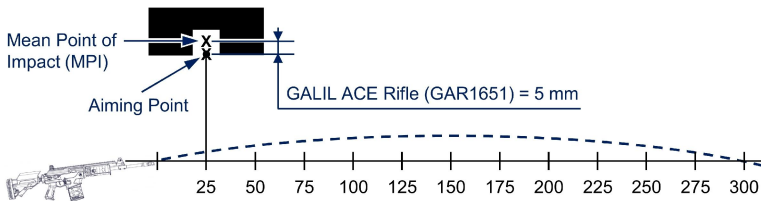
The following tables indicate the relative adjustments.

1. HORIZONTAL AND VERTICAL ADJUSTMENT FOR 100-METERS RANGE:

Number of clicks on Post or Windage Screw	Correction on Target
1 click ( $\frac{1}{4}$ turn)	25 mm
2 clicks ( $\frac{1}{2}$ turn)	50 mm
3 clicks ( $\frac{3}{4}$ turn)	75 mm
4 clicks (1 turn)	100 mm

2. HORIZONTAL AND VERTICAL ADJUSTMENT FOR 25-METERS RANGE:

Number of clicks on Post or Windage Screw	Correction on Target
1 click ( $\frac{1}{4}$ turn)	6 mm



Zeroing the Rifle at 25m for 300m

---

## 12 Disassembly/Assembly Authorized at Operator Level

---

This chapter contains user level disassembly and assembly procedures. Disassembly beyond what is described in this manual should only be performed by an IWI US certified armorer or by IWI US, Inc.

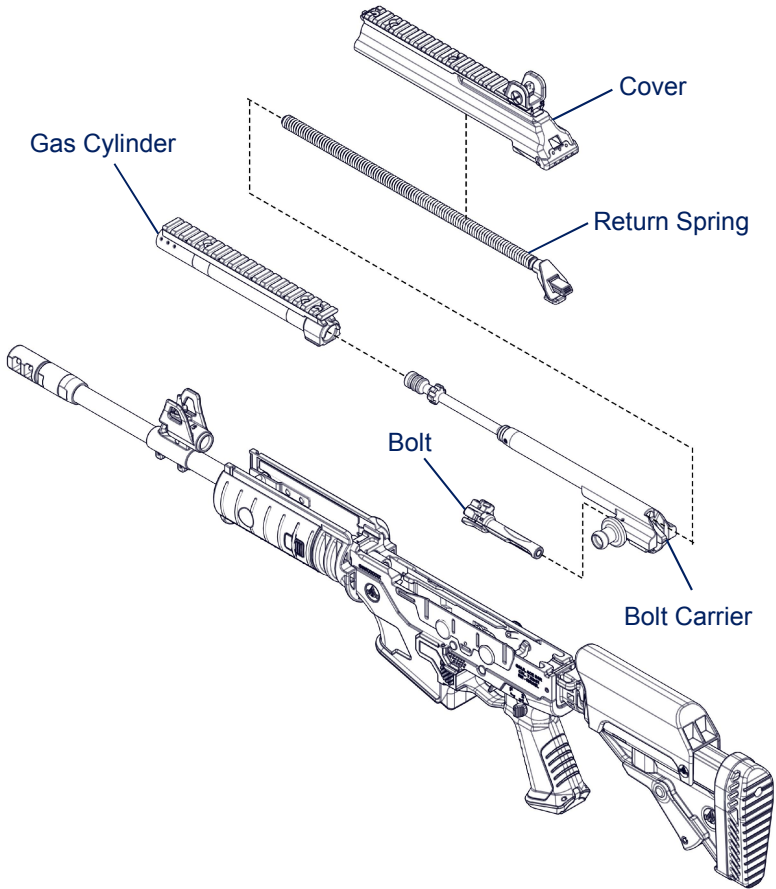
Disassembled parts should be placed in their order of removal.

Assembling is always performed in reverse order to disassembling unless otherwise specified.



**WARNING!** Before disassembly remove the magazine and make sure that there is no live round in the chamber.

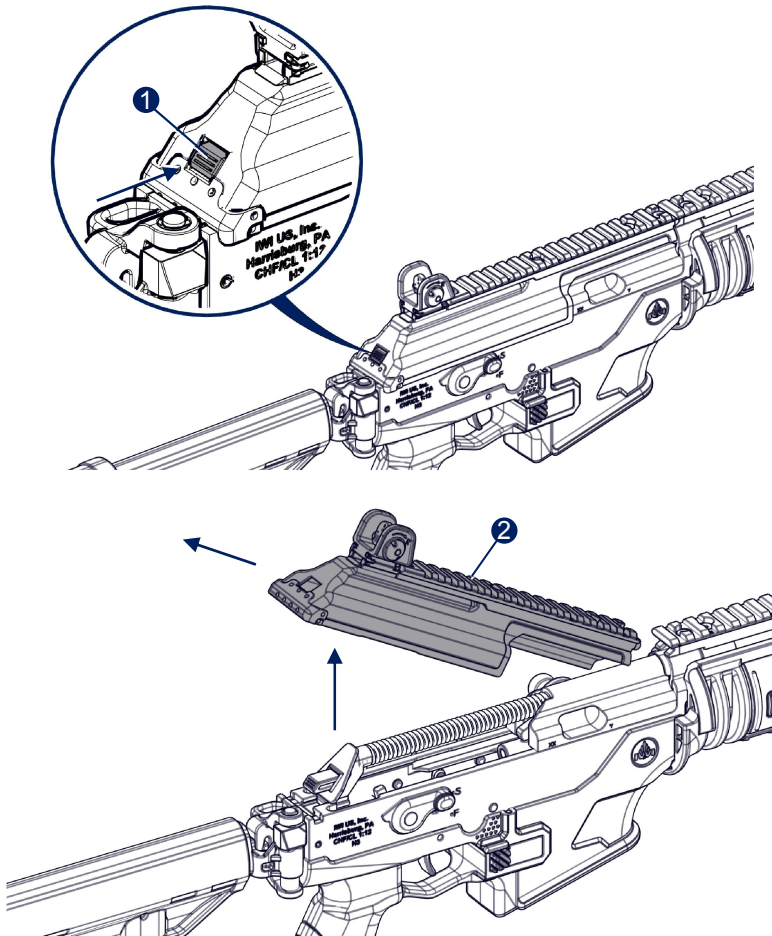
## 12.1 Operator Level Weapon Disassembly and Assembly – Field Stripping



## 12.1.1 Removing the Cover

To remove the cover, perform the steps as follows:

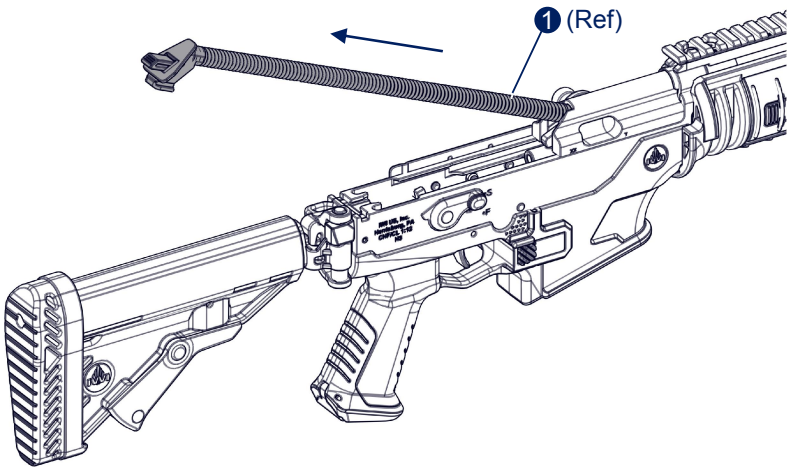
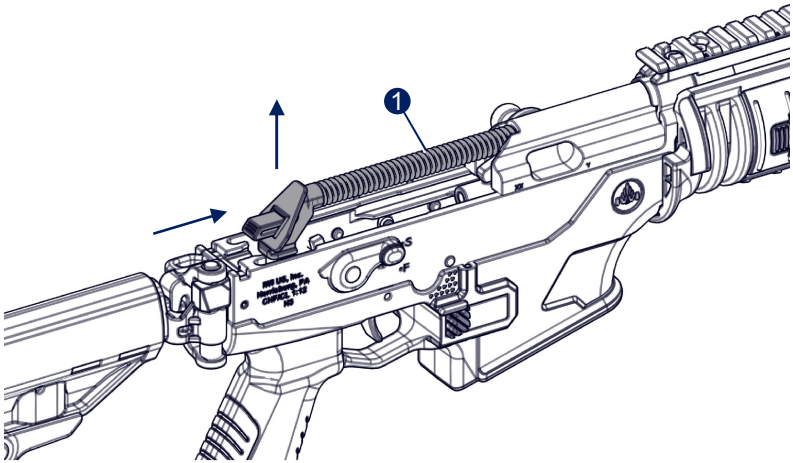
1. Press cover catch **1** inward with the thumb.
2. With the other hand, lift the cover **2** up and pull back to remove it from rifle.



### 12.1.2 Removing the Return Spring

To remove the return spring, perform the steps as follows:

Hold the weapon with one hand, with the other hand push the spring **1** slightly forward, then pull it upward and out of the receiver.

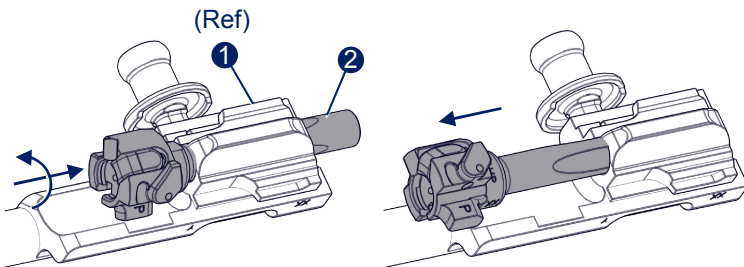
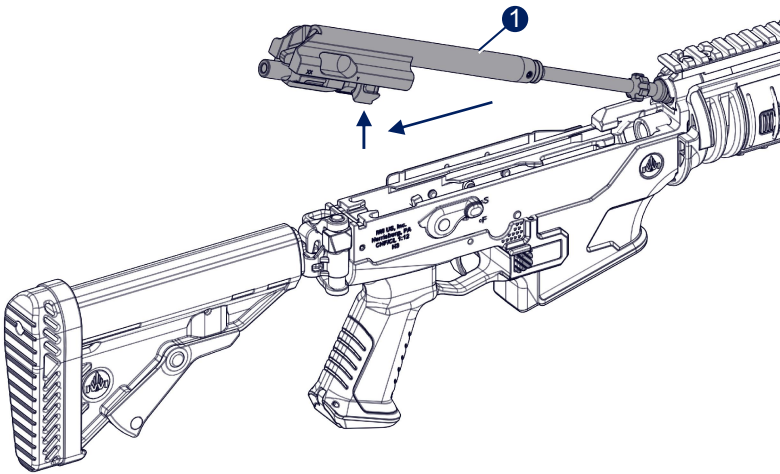




### 12.1.3 Removing the Bolt Carrier and Bolt

To remove the bolt carrier and bolt, perform the steps as follows:

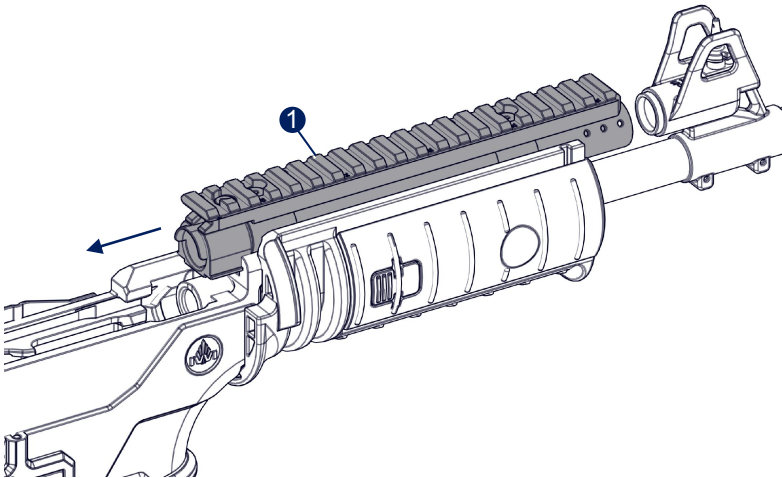
1. Pull bolt carrier **1** all the way backwards and extract it from the receiver.
2. Hold the bolt carrier **1**, rotate the bolt **2** counter clockwise and pull it out.



### 12.1.4 Removing the Gas Cylinder

To remove the gas cylinder, perform the steps as follows:

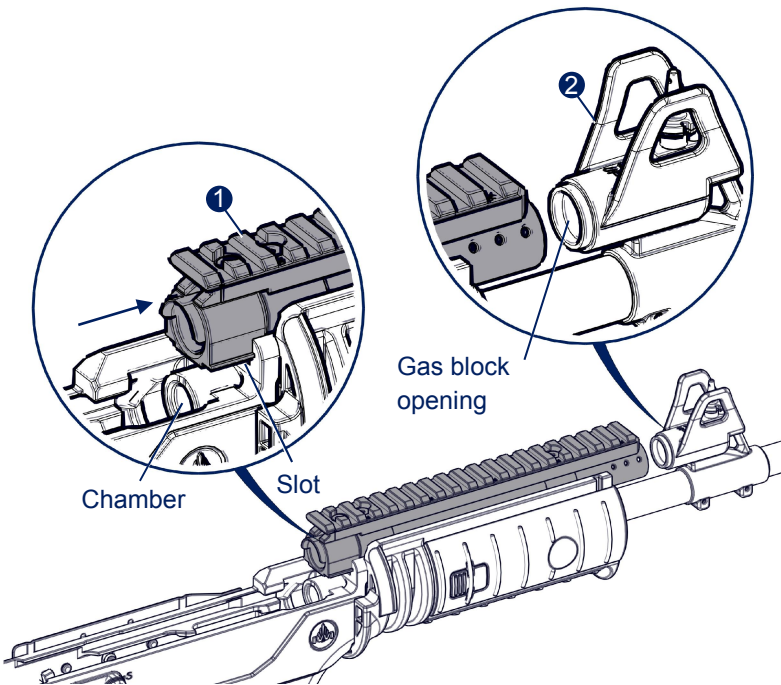
1. Hold the end of the gas cylinder ①.
2. Pull backwards and lift outside.



## 12.1.5 Installing the Gas Cylinder

To install the gas cylinder, perform the steps as follows:

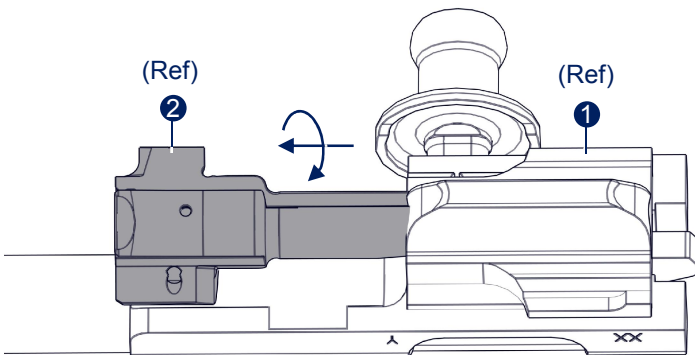
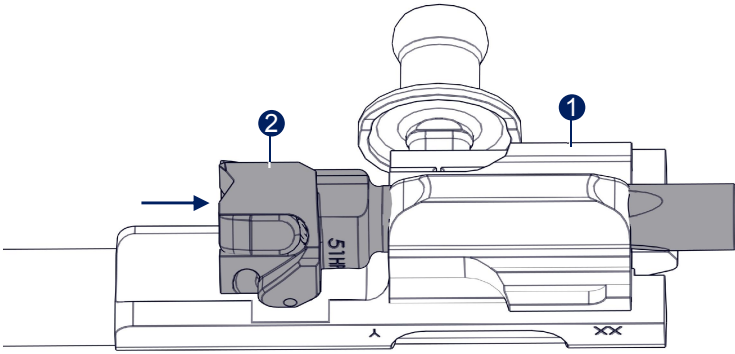
1. Lift the gas cylinder **1** with your hand.
2. Fit its guides to the slot on the upper front edge of the receiver (above the chamber) and its front end into the gas block opening below the front sight, then push forward.
3. Make sure that the gas cylinder **1** is properly fitted in the gas block **2** and doesn't move.



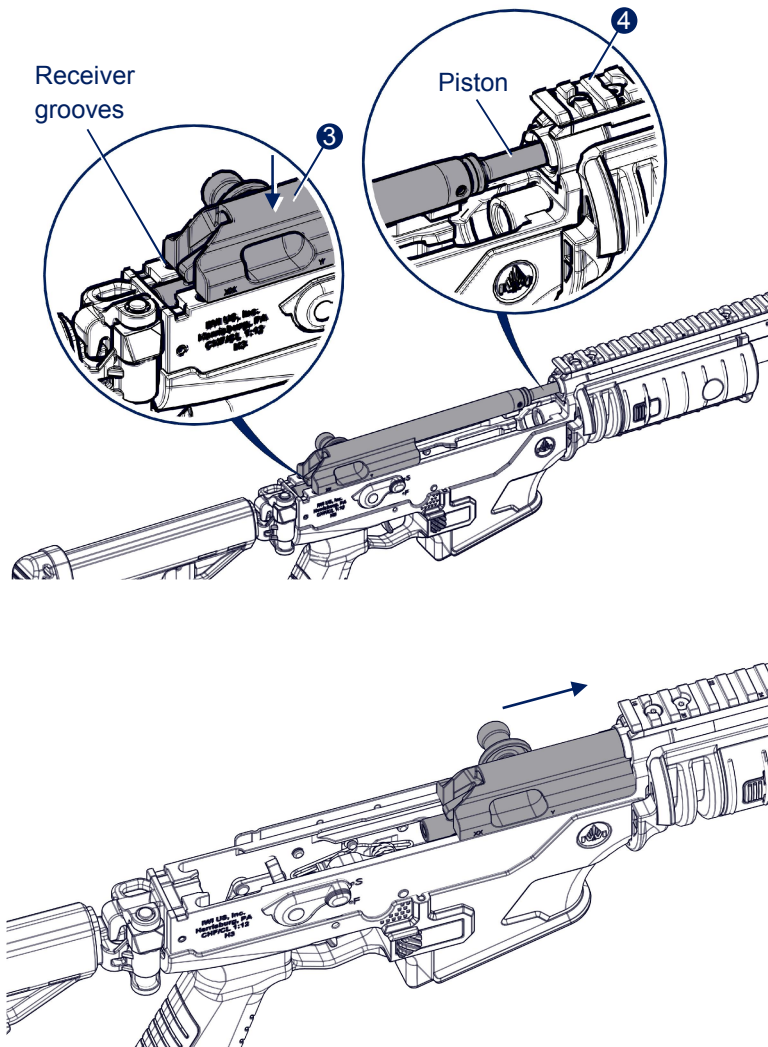
### 12.1.6 Assembling the Bolt Carrier and Bolt

To assemble the bolt carrier and bolt, perform the steps as follows:

1. Lift bolt carrier **1** with one hand and the bolt **2** with the other.
2. Hold bolt carrier **1** horizontally. Install the bolt **2** inside the bolt carrier **1**, pull it forward while it rotates until the bolt stops in the bolt carrier.



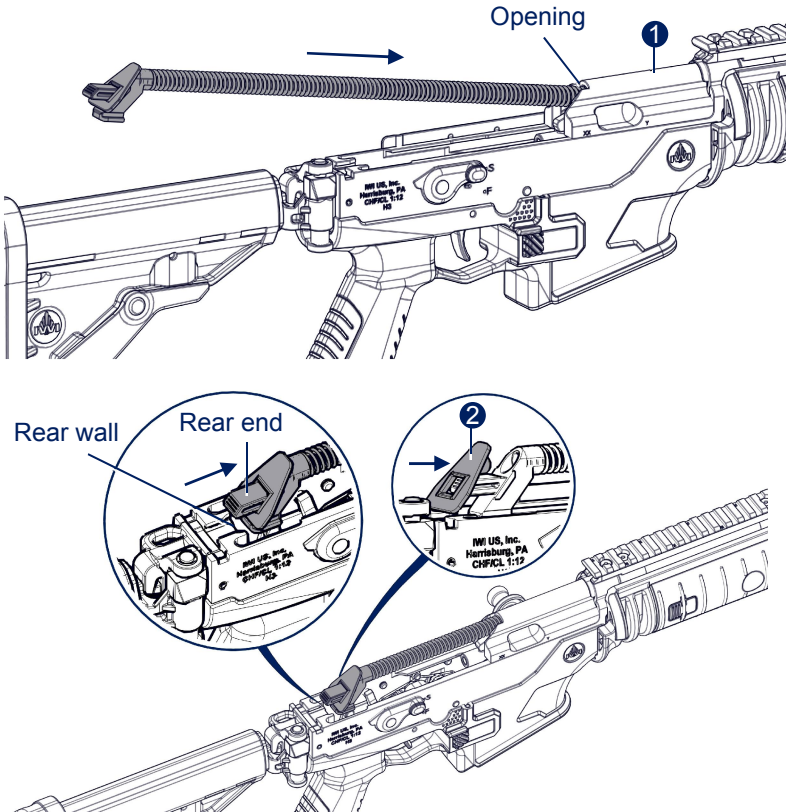
3. While keeping the bolt in its forward position install bolt carrier group ③ into the receiver by directing the piston towards the gas cylinder ④ and the rear end towards its groove in the receiver. Push it all the way.



### 12.1.7 Installing the Return Spring

To install the return spring, perform the steps as follows:

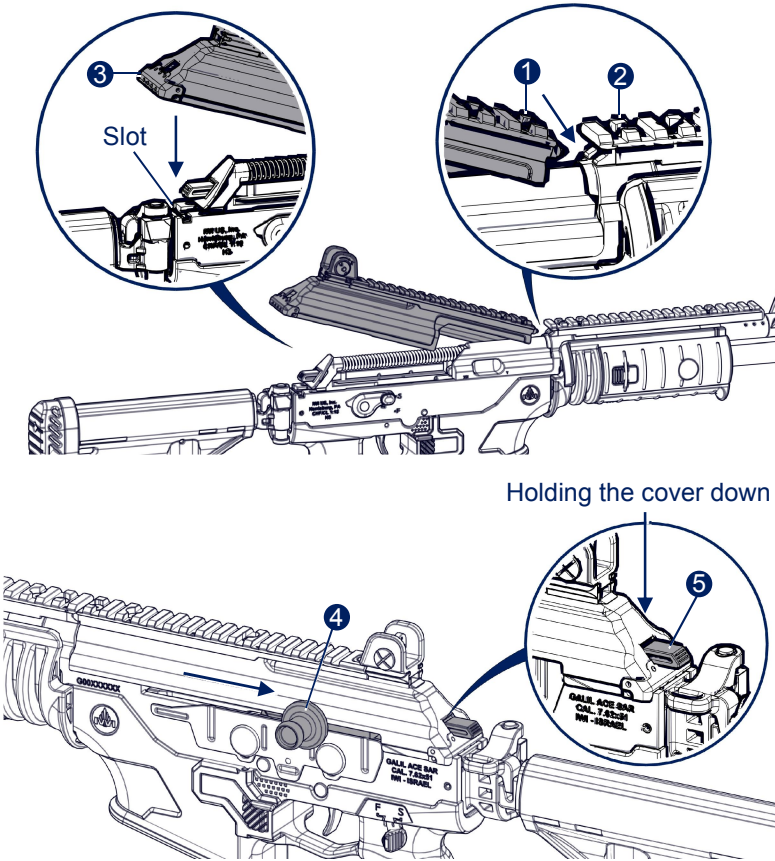
1. Insert the front end into the opening at the rear of the bolt carrier **1**.
2. Push its rear end against the spring force, then lean it against the inner rear wall of the receiver below its grooves.
3. Make sure that the gas injection blocker **2** is properly installed.



### 12.1.8 Installing the Cover

To install the cover, perform the steps as follows:

1. Fit the front edge of the cover rail **1** into the slot of the rear part of the gas cylinder rail **2**. Firmly push the rear end of the cover **3** into its slot on the receiver.
2. While holding the cover down, cock the bolt carrier **4**, the cover catch **5** will snap into place.



## 12.2 Additional Disassembly and Assembly at Operator Level

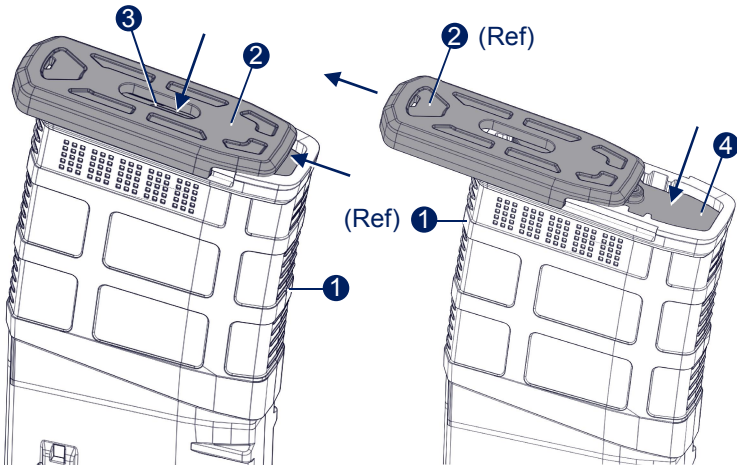
### 12.2.1 Disassembling the Magazine



**WARNING!** Be sure to keep the magazine opening pointed away from your face. The magazine spring is under tension and will fly out.

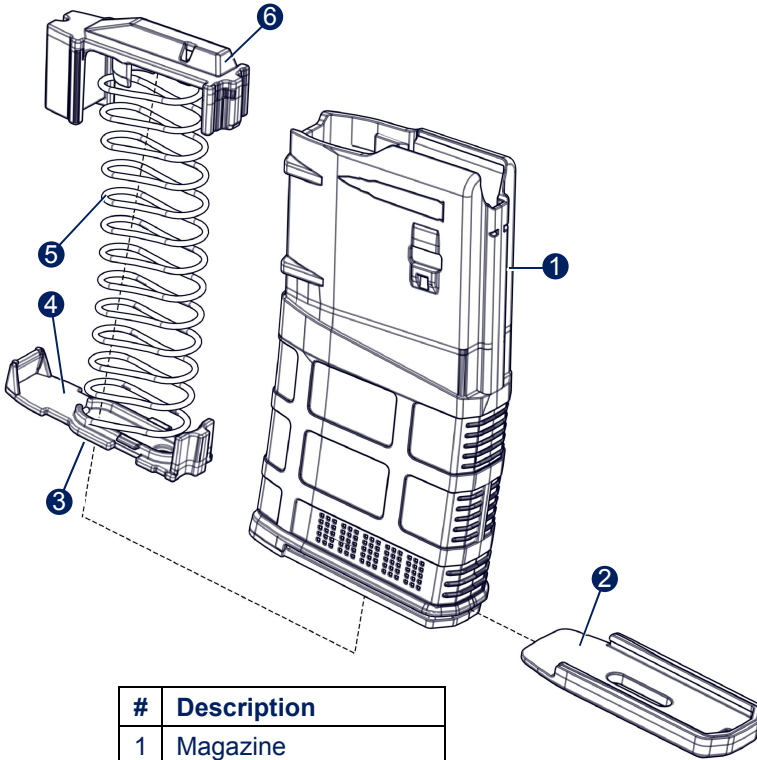
To disassemble the magazine, perform the steps as follows:

1. Hold the magazine **1** with one hand (magazine base **2** facing upwards).
2. With the aid of a small punch, push magazine base catch **3** inwards and push magazine base **2** to rear.
3. Press spring plate **4** with finger and pull out the magazine base **2**.





4. Free spring **5** carefully (by rocking it sideways) and pull it out together with follower **6**.



#	Description
1	Magazine
2	Magazine Base
3	Magazine Base Catch
4	Spring Plate
5	Spring
6	Follower

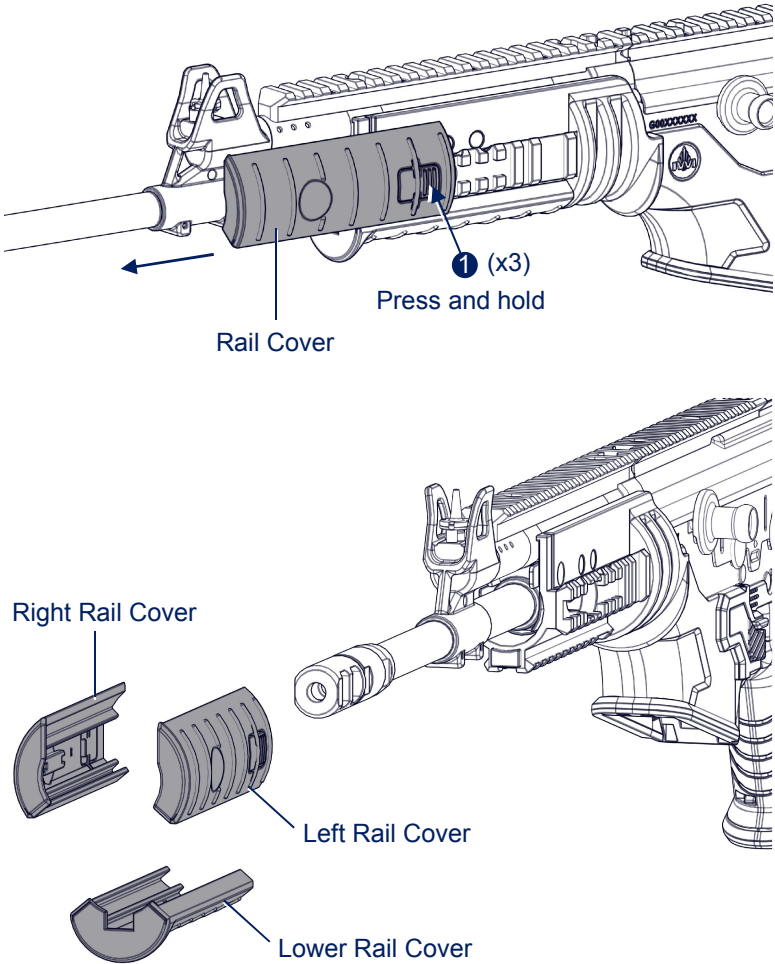
### 12.2.2 Assembling the Magazine

For assembling the magazine, carry out the above-mentioned operation in the reverse order.

### 12.2.3 Removing the 3 Rail Covers

To remove the 3 rail covers, perform the steps as follows:

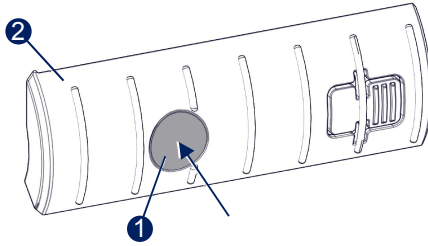
Remove the 3 rail covers by pressing the cover catch **1** and pushing it forward off the rails.



### 12.2.4 Removing the Button

To remove the button, perform the step as follow:

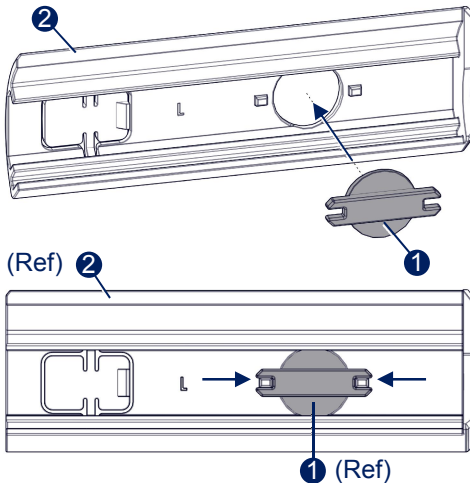
Press on the button **1** to remove it from the rail cover **2**.



### 12.2.5 Inserting the Button

To insert the button, perform the step as follow:

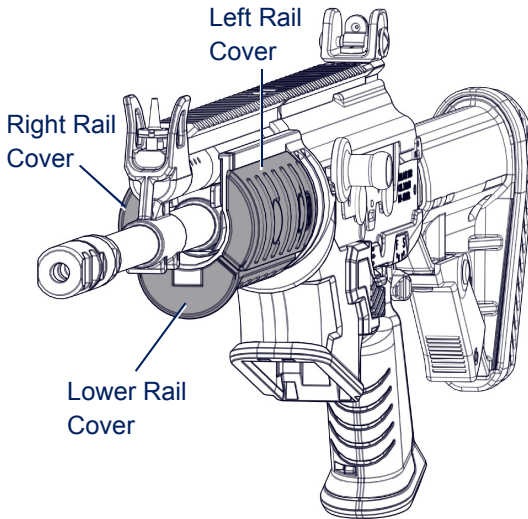
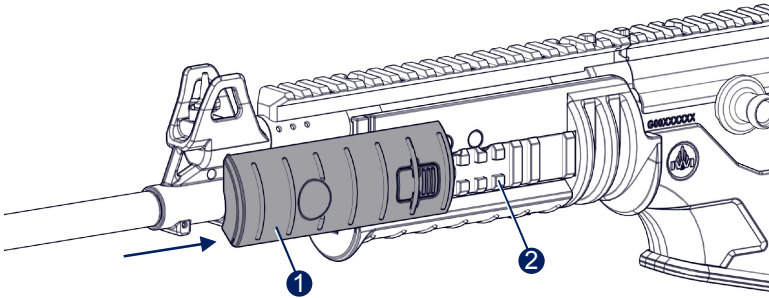
1. Insert the button **1** into the rail cover **2** from the inner side.
2. Make sure the button **1** is mounted on the cover **2** straight so that it can enter the rail.



### 12.2.6 Inserting the 3 Rail Covers

To insert the 3 rail covers, perform the steps as follows:

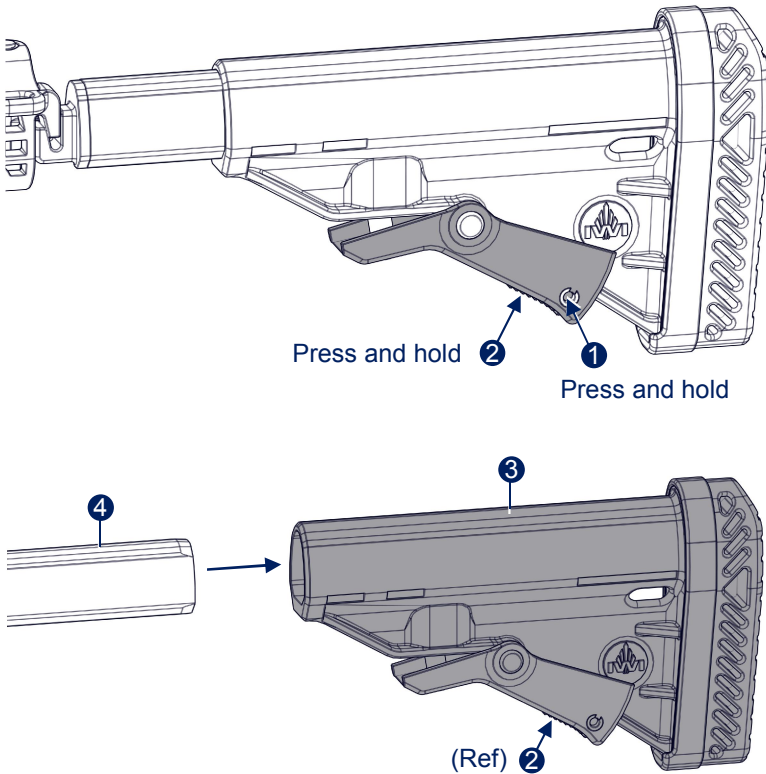
1. Fit the rail cover **1** to the matching rail **2** (each cover fits only one rail).
2. Push the rail cover **1** all the way to the rear.
3. Verify that the cover **1** is locked in place.



## 12.2.7 Removing the Buttstock

To remove the buttstock, perform the steps as follows:

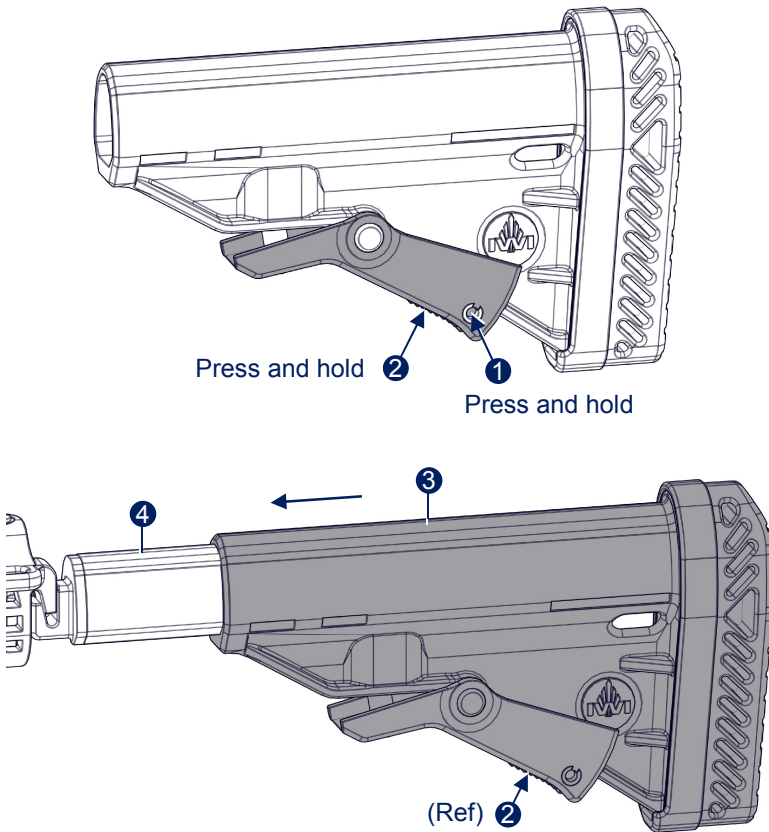
1. With the aid of zeroing key or another small punch push the catch blocker **1** on the buttstock and while holding the blocker pressed, press on the buttstock catch **2** all the way up.
2. While pressing the buttstock catch **2**, pull the buttstock **3** backwards until it is off of the buttstock tube **4**.



## 12.2.8 Inserting the Buttstock

To insert the buttstock, perform the steps as follows:

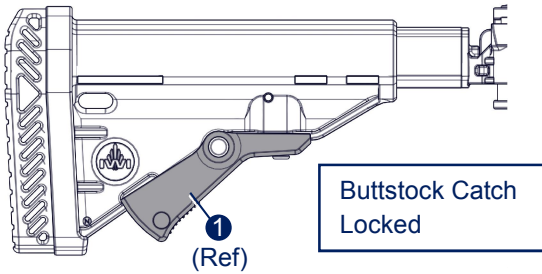
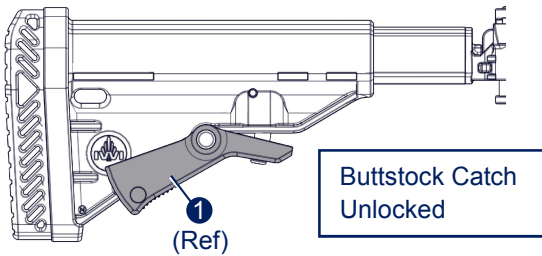
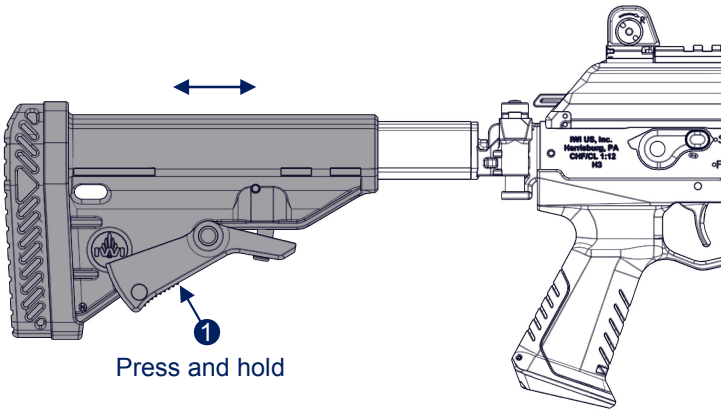
1. With the aid of zeroing key or another small punch push the catch blocker **1** on the buttstock and while holding the blocker pressed, press on the buttstock catch **2** all the way up.
2. While pressing the buttstock catch **2**, push the buttstock **3** forwards until it is on the buttstock tube **4**.



## 12.2.9 Buttstock Length Adjustment

To adjust the buttstock length, perform the steps as follows:

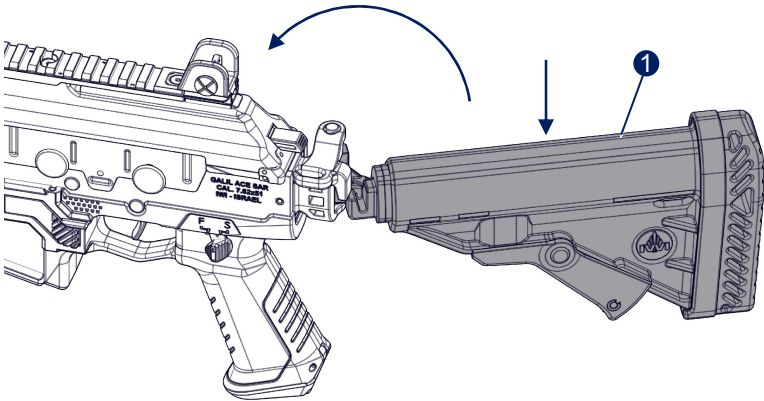
Press on the buttstock catch **1** and adjust the length, verify that the buttstock catch **1** is locked.



### 12.2.10 Buttstock Folding

To fold the buttstock, perform the steps as follows:

Push down and fold the buttstock **1**.

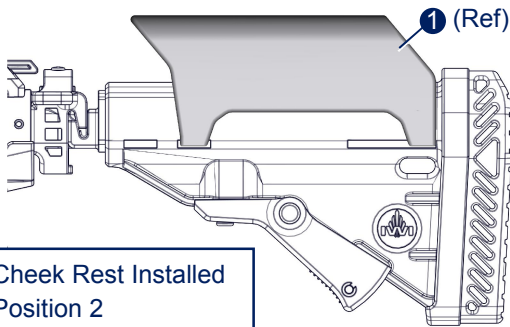
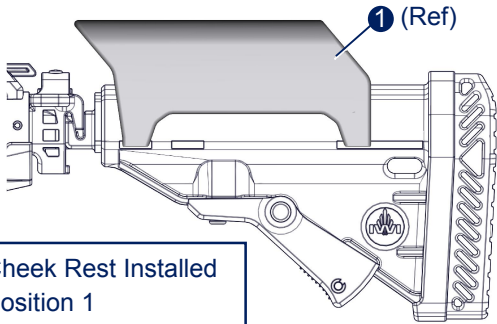
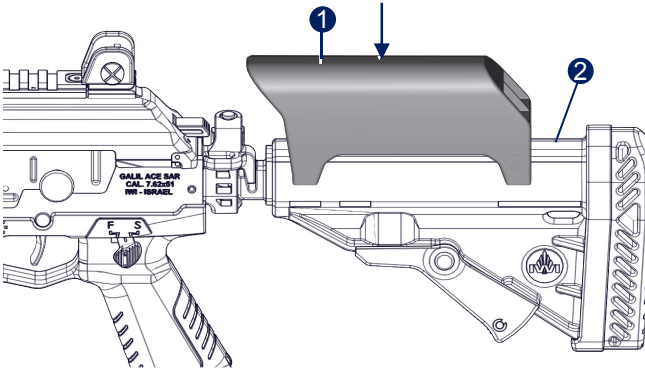




## 12.2.11 Installing the Cheek Rest

To install the cheek rest, perform the steps as follows:

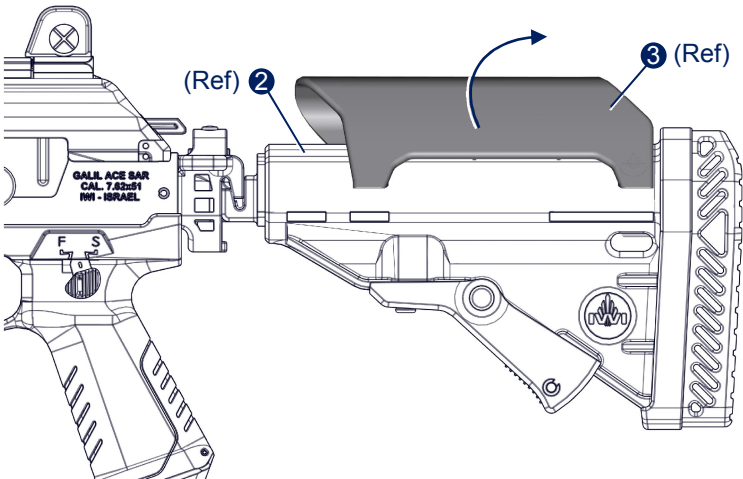
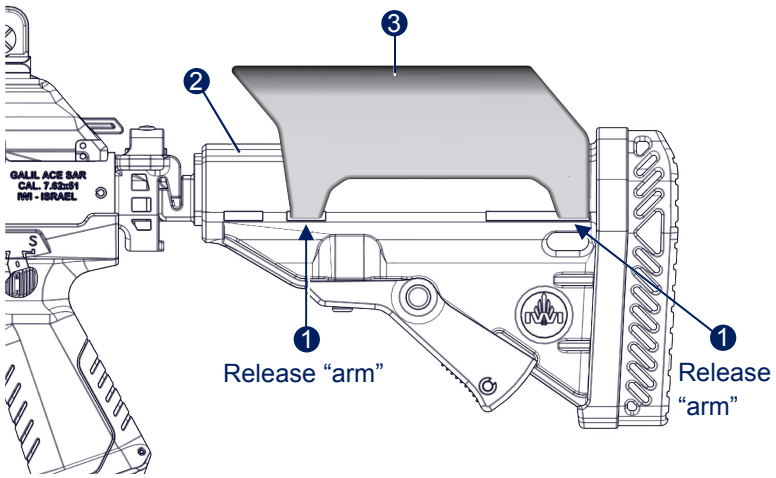
Put the cheek rest **1** on the buttstock **2** and press it into place.



## 12.2.12 Removing the Cheek Rest

To remove the cheek rest, perform the steps as follows:

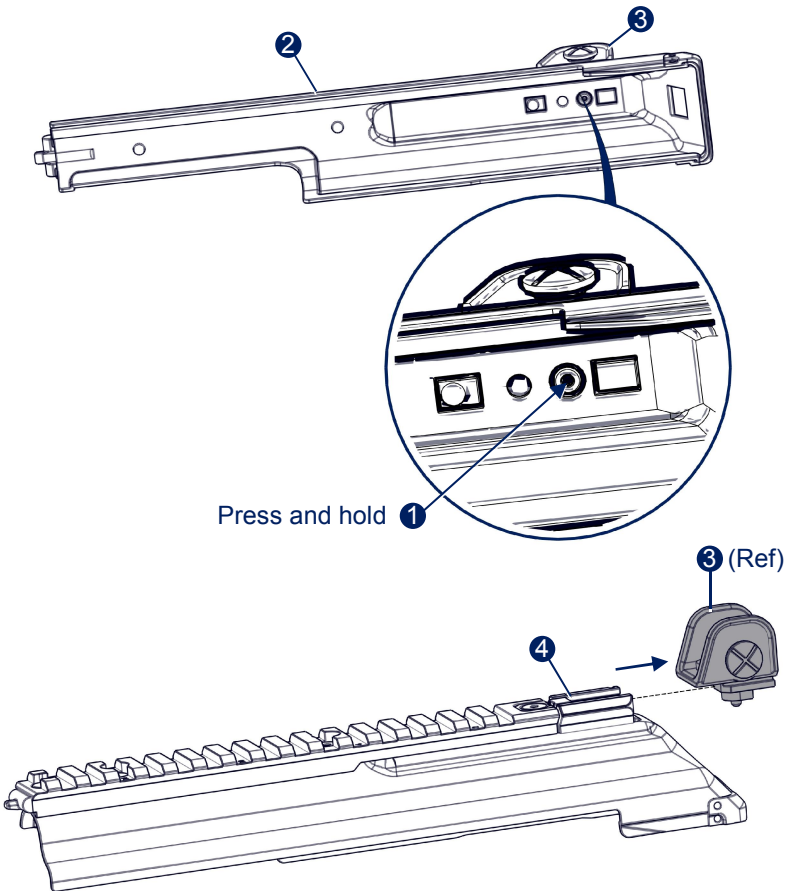
Release the cheek rest “arms” **1** from the buttstock **2** and tilt the cheek rest **3** to remove.



### 12.2.13 Removing the Rear Sight

To remove the rear sight, perform the steps as follows:

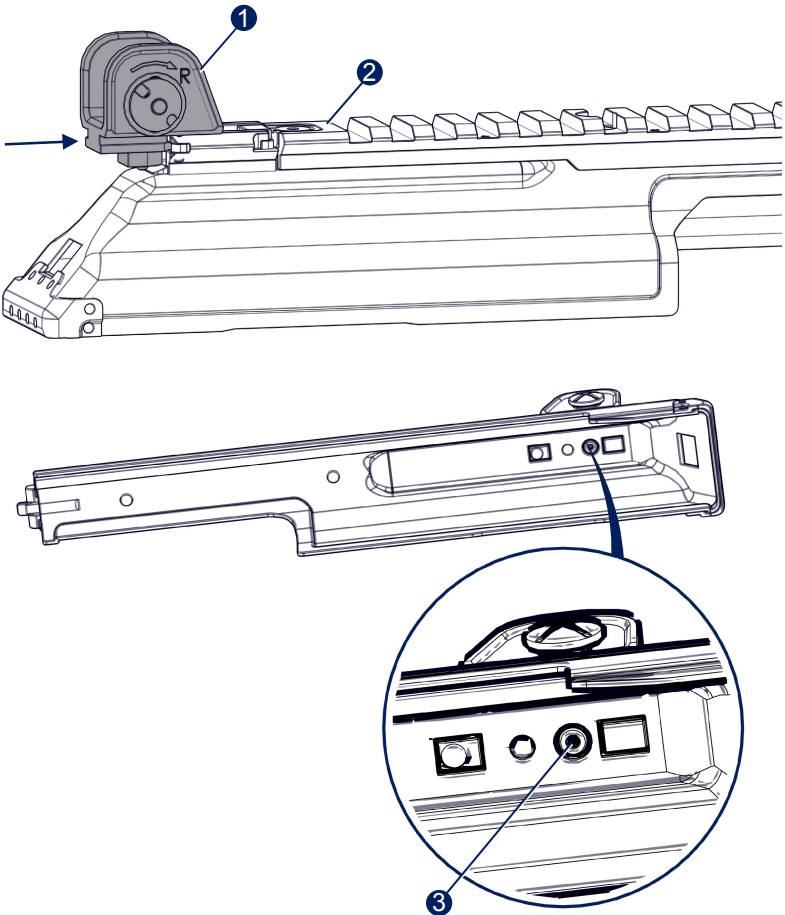
1. With the aid of zeroing key or another small punch push the catch pin **1** located on the bottom of the receiver cover **2**, under the rear sight **3**.
2. Push the rear sight **3** backwards until it is out of the rail **4**.



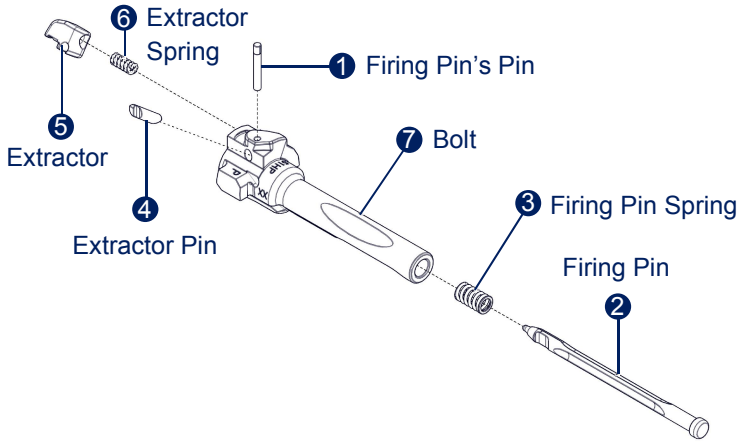
### 12.2.14 Inserting the Rear Sight

To insert the rear sight, perform the steps as follows:

1. Fit the rear sight **1** on its rail **2**.
2. Push the rear sight **1** forward until the catch pin **3** locks into its notch.



## 12.2.15 Disassembling/Assembling the Bolt



### 12.2.15.1 Disassembling the Bolt

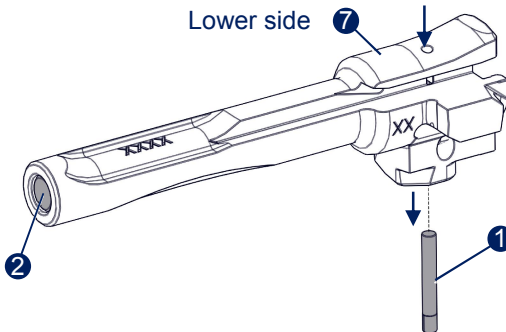
To disassemble the bolt, perform the steps as follows:

1. Using a 2 mm punch and a hammer, remove the firing pin's pin **1** (from the lower side of the bolt **7**).

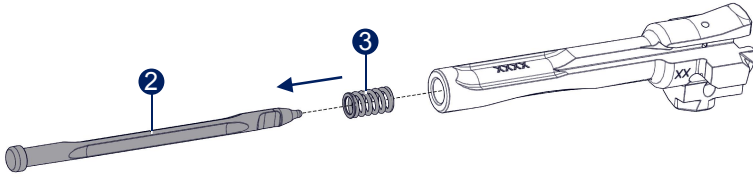
---

**NOTE:** While removing the firing pin's pin **1** keep thumb over the firing pin channel **2** firing pin is under spring tension and may out if not retained.

---



- Remove the firing pin ② and its spring ③.




---

*NOTE: Extractor pin ④ can be removed only after removal of the firing pin's pin ①.*

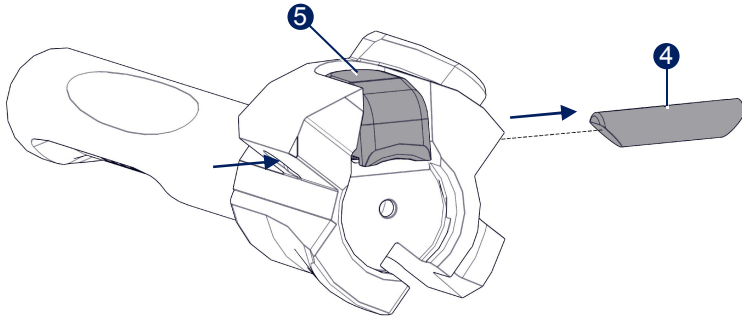
---

- Using a 2 mm punch, push the extractor pin ④ out.

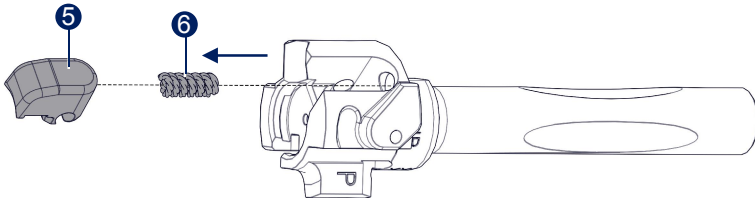
---

*NOTE: Extractor ⑤ is under spring tension. Keep thumb on top while removing extractor pin ④.*

---



- Remove the extractor ⑤ and extractor spring ⑥.



## 12.2.15.2 Assembling the Bolt

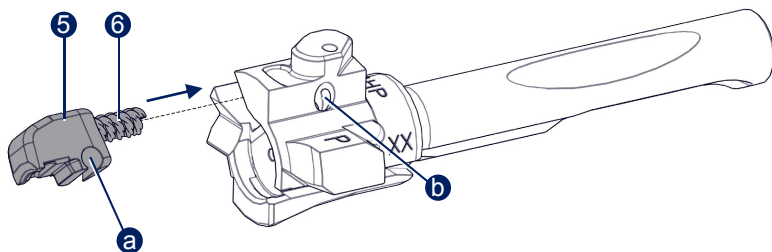
To assemble the bolt, perform the steps as follows:

---

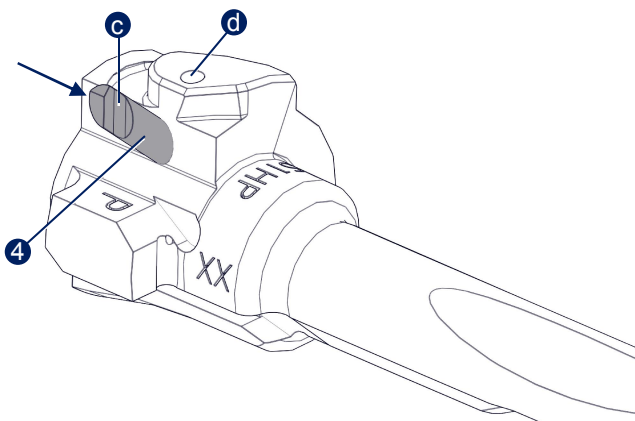
*NOTE: Extractor pin ④ must be inserted before insertion of the firing pin's pin ①.*

---

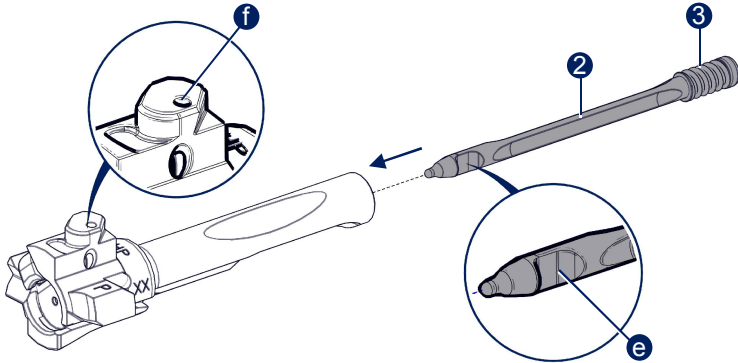
1. Insert the extractor spring ⑥ and extractor ⑤ into their place, press the extractor ⑤ until the bore of the pin a is aligned with the bore for the extractor pin of the bolt b.



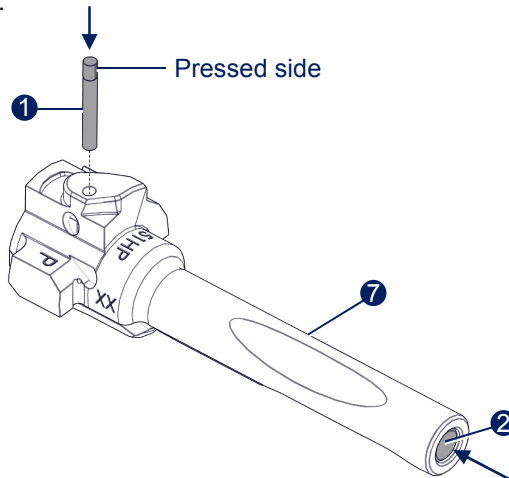
2. Insert the extractor pin ④, the slot of the extractor pin c must be aligned with the hole in the bolt for the firing pin's pin d.



3. Insert the firing pin **2** and spring **3** into its hole, make sure that the recess of the firing pin **e** is aligned with the hole in the bolt for the firing pin's pin **f**.



4. Press the firing pin **2** forwards against the spring and insert the firing pin's pin **1**. Make sure that the pressed side of the firing pin's pin **1** will be on the upper side.
5. Ensure that the firing pin's pin **1** does not protrude from the bolt **7**.





---

## 13 Preventive Maintenance

---

Experience shows that the majority of malfunctions are caused by improper handling and maintenance of the rifle rather than mechanical defects.

Comprehensive knowledge of servicing and handling the rifle is very important. Special attention must be paid to cleaning and lubricating the rifle.

To ensure proper functioning of the rifle, regularly perform the following:

1. Clean the weapon's bore and chamber thoroughly.
2. Clean the gas block, gas cylinder and piston, and remove all carbon deposits.
3. Clean and lightly lubricate the receiver and moving mechanism.
4. Visually inspect bolt surfaces, firing pin's tip and extractor.

### 13.1 Pre-Firing Rifle Preparation

Prior to firing verify cleanliness of the weapon as follows:

1. Perform the steps as described in section "Safety Inspection Procedures" on page 33.
2. Field-strip the rifle, perform the steps as described in section 12.1 on page 44.
3. Wipe the disassembled parts, removing all traces of oil and dirt. Use a swab soaked with a suitable rust-preventive cleaning solution.
4. Clean barrel bore using a pull through. Pull or push the soaked swab from the chamber and out through the muzzle. Make sure the barrel is free of obstructions and excess oil.
5. Assemble the rifle.

### 13.2 Post-Firing Maintenance

Upon completion of firing, clean the weapon thoroughly (with special attention to the parts that are in contact with the exhaust gas).

Carbon and other deposits (such as, gunpowder residue) accumulate inside the bore and inner rifle parts causing corrosion.

Perform post-firing maintenance as follows:

1. Perform the steps as described in section "Safety Inspection Procedures" on page 33.

2. Field-strip the rifle, perform the steps as described in section 12.1 on page 44.
3. Clean barrel bore with a swab dipped in lubricant. Continue cleaning until the swab comes out clean.
4. Clean the gas cylinder, removing all traces of carbon and other deposits. Use a swab dipped in lubricant, continue until the swab comes out clean.
5. Remove carbon deposits from the piston head.
6. Clean the bolt carrier group using a swab dipped in lubricant, continue until the swab comes out clean.
7. Clean the inner receiver and mechanism using a nylon brush.
8. After cleaning, lightly oil all parts.
9. Clean external surfaces and other parts with a swab.
10. After cleaning, use a swab to apply a light coat of oil to the outer surface and other parts.
11. Assemble the rifle.
12. Verify that the rifle is functioning properly by cocking the unloaded rifle and pulling the trigger. This step should be repeated several times.

## 13.3 Maintenance under Extreme Conditions

### 13.3.1 Cold Climate Maintenance and Cleaning

When the temperature is below freezing all the moving parts of the weapon must be kept absolutely free from moisture. It is a well-known fact that excessive oiling of the moving parts will result in the oil coagulating and obstructing the action of the mechanism. Thus, after cleaning, the weapon must be oiled with a thin layer of anti-rust oil (type 9105). When the temperature drops below 14°F (-10°C) use anti-freeze oil (type SAE 9180).

### 13.3.2 Hot/Dry Climate Maintenance and Cleaning

In a hot and dry climate, sand and dust penetrate into the mechanism and barrel bore. The weapon must be cleaned daily and even several times a day. Dismantle the weapon on a user's level and clean thoroughly. When used in sandy areas, leave a thin layer of oil on the weapon to prevent the sand from sticking to the lubricant. Sand will cause stoppages and abrasions, which will cause malfunctioning of the mechanism.

### 13.3.3 Mud and wet conditions

In this case the oil is washed off, thereby increasing friction between the moving parts. In this case heavily lubricate the rifle, especially the contact surfaces between the moving parts and the receiver the bolt carrier and the bolt.

---

## 14 Troubleshooting

---

This chapter provides troubleshooting and repair tables. For each symptom, the tables provide the probable reason, as well as remedy action instructions.

### 14.1 Immediate Action

If your rifle fails to fire, immediate action should be taken.

The immediate actions involve the following operations:

- **Tap** upward on the magazine with your hand to make sure it is properly seated.
- **Pull** the cocking handle all the way back, and watch for the ejection of cartridge.
- **If** cartridge or cartridge case is ejected release cocking handle to feed new round. Don't force the cocking handle.
- **Aim** and pull trigger. If the above immediate actions are repeated twice and rifle won't fire, take the following action:
  - **Lower** rifle from shoulder and remove magazine.
  - **Pull** cocking handle all the way back.
  - **Ensure** rifle is unloaded.
  - **Locate** fault by inspecting the chamber and bolt carrier.
  - **Fix** fault and continue firing.

## 14.2 Troubleshooting Table

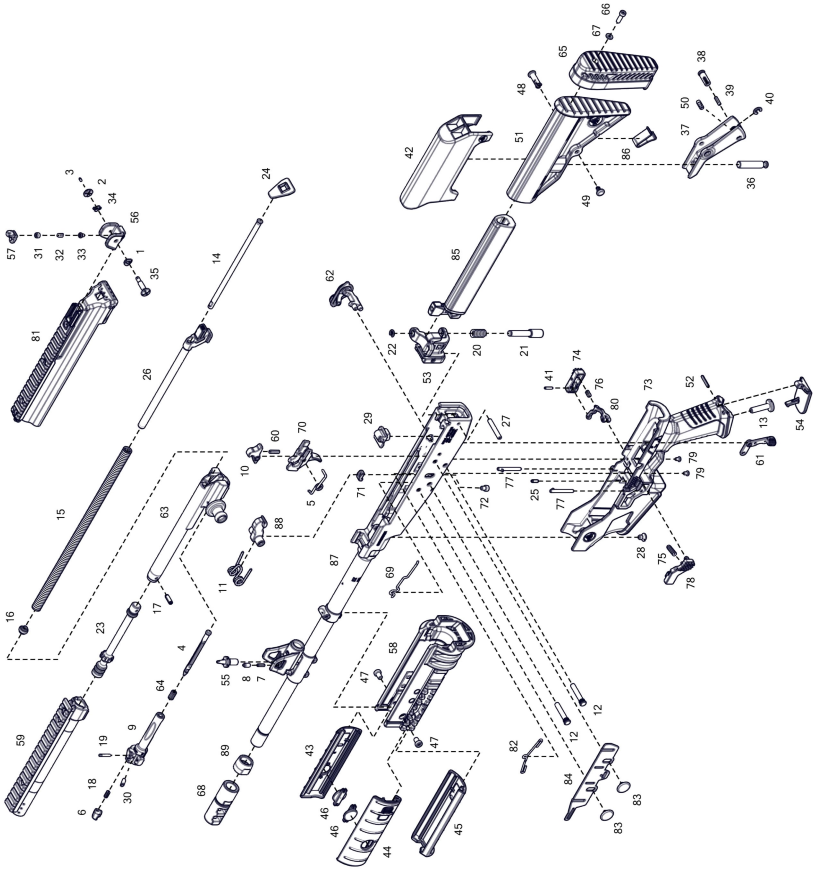
Failure	Symptom	Probable Reason	Remedy
<b>Fail to feed</b>	Bolt stopped on rim "face", rim still stuck in magazine	Defective magazine	Replace if necessary
	Bullet tip stuck in ramp	Defective magazine	Replace if necessary
		Dirty magazine	Clean magazine
		Incomplete insertion of magazine	Reinsert the magazine
	Round was not chambered, bolt stopped on rim "face"	Defective magazine	Replace magazine if necessary
		Dirty magazine	Clean magazine
		Insufficient movement of bolt carrier to the rear	Clean rifle
		Weak return spring	Replace return spring (by gunsmith)
	Bolt is locked, but no round chamber or bolt stuck on the case body	Insuficeient energy	Clean rifle
		Defective magazine	Replace magazine

<b>Failure</b>	<b>Symptom</b>	<b>Probable Reason</b>	<b>Remedy</b>
<b>Double feeding</b>	Bolt pushes 2 rounds at the same time	Defective magazine lips (opened)	Replace magazine
<b>Fail to lock</b>	Incomplete locking	Dirty chamber	Clean rifle
		Defective ammunition	Replace ammunition
		Weak return spring	Replace return spring (by gunsmith)
<b>Fail to extract</b>	Empty case remains in chamber (sometimes with a torn rim)	Dirty chamber	Clean rifle
		Broken extractor	Replace extractor (by gunsmith)
		Weak extractor spring	Replace spring (by gunsmith)
<b>Fail to eject</b>	Empty case remains in the rifle	Dirty chamber	Clean rifle
		Broken extractor	Replace extractor (by gunsmith)
		Weak extractor spring	Replace spring (by gunsmith)
<b>Fail to fire</b>	Round in chamber and hammer released none or weak indent on primer	Broken firing pin	Replace firing pin (by gunsmith)
		Weak or broken hammer spring	Replace hammer spring (by gunsmith)
		Faulty ammunition	If continues, replace ammunition

# 15 Part List & Exploded View

## 15.1 GALIL ACE® 7.62x51 mm (NATO) - GAR1651

Part List & Exploded View



QTY	DESCRIPTION
1	RECEIVER
2	RECEIVER COVER
3	RECEIVER COVER PIN
4	RECEIVER COVER PIN
5	RECEIVER COVER PIN
6	RECEIVER COVER PIN
7	RECEIVER COVER PIN
8	RECEIVER COVER PIN
9	RECEIVER COVER PIN
10	RECEIVER COVER PIN
11	RECEIVER COVER PIN
12	RECEIVER COVER PIN
13	RECEIVER COVER PIN
14	RECEIVER COVER PIN
15	RECEIVER COVER PIN
16	RECEIVER COVER PIN
17	RECEIVER COVER PIN
18	RECEIVER COVER PIN
19	RECEIVER COVER PIN
20	RECEIVER COVER PIN
21	RECEIVER COVER PIN
22	RECEIVER COVER PIN
23	RECEIVER COVER PIN
24	RECEIVER COVER PIN
25	RECEIVER COVER PIN
26	RECEIVER COVER PIN
27	RECEIVER COVER PIN
28	RECEIVER COVER PIN
29	RECEIVER COVER PIN
30	RECEIVER COVER PIN
31	RECEIVER COVER PIN
32	RECEIVER COVER PIN
33	RECEIVER COVER PIN
34	RECEIVER COVER PIN
35	RECEIVER COVER PIN
36	RECEIVER COVER PIN
37	RECEIVER COVER PIN
38	RECEIVER COVER PIN
39	RECEIVER COVER PIN
40	RECEIVER COVER PIN
41	RECEIVER COVER PIN
42	RECEIVER COVER PIN
43	RECEIVER COVER PIN
44	RECEIVER COVER PIN
45	RECEIVER COVER PIN
46	RECEIVER COVER PIN
47	RECEIVER COVER PIN
48	RECEIVER COVER PIN
49	RECEIVER COVER PIN
50	RECEIVER COVER PIN
51	RECEIVER COVER PIN
52	RECEIVER COVER PIN
53	RECEIVER COVER PIN
54	RECEIVER COVER PIN
55	RECEIVER COVER PIN
56	RECEIVER COVER PIN
57	RECEIVER COVER PIN
58	RECEIVER COVER PIN
59	RECEIVER COVER PIN
60	RECEIVER COVER PIN
61	RECEIVER COVER PIN
62	RECEIVER COVER PIN
63	RECEIVER COVER PIN
64	RECEIVER COVER PIN
65	RECEIVER COVER PIN
66	RECEIVER COVER PIN
67	RECEIVER COVER PIN
68	RECEIVER COVER PIN
69	RECEIVER COVER PIN
70	RECEIVER COVER PIN
71	RECEIVER COVER PIN
72	RECEIVER COVER PIN
73	RECEIVER COVER PIN
74	RECEIVER COVER PIN
75	RECEIVER COVER PIN
76	RECEIVER COVER PIN
77	RECEIVER COVER PIN
78	RECEIVER COVER PIN
79	RECEIVER COVER PIN
80	RECEIVER COVER PIN
81	RECEIVER COVER PIN
82	RECEIVER COVER PIN
83	RECEIVER COVER PIN
84	RECEIVER COVER PIN
85	RECEIVER COVER PIN
86	RECEIVER COVER PIN
87	RECEIVER COVER PIN
88	RECEIVER COVER PIN



---

## 16 Limited Product Warranty

---

1. This Warranty is given by "IWI US, Inc." solely to the original purchaser (the "Purchaser") of IWI US, Inc.'s GALIL ACE<sup>®</sup> SEMI-AUTOMATIC RIFLE (the "Product") for a period of 5 years commencing from the date of Product retail purchase (the "Warranty Period").
2. Subject to the limitations and exclusions contained below, IWI US, Inc. warrants the Product to be free from defects in design, materials and workmanship. Consequently, should any failure to conform to this Warranty be discovered and brought to the attention of IWI US, Inc. during the Warranty Period, and be substantiated by examination at IWI US, Inc.'s facility or by duly authorized and certified field personnel on IWI US, Inc.'s behalf, IWI US, Inc., at its sole option and free of charge, shall either repair, replace or refund the purchase price of any non-conforming Product.
3. This Warranty shall only apply provided that:
  - 3.1. The Product has been transported and stored, handled, maintained, operated and used properly; all in accordance with IWI US, Inc.'s instructions found in this manual.
  - 3.2. No changes, repairs or services were made to the Product by any party other than IWI US, Inc. or an authorized representative of IWI US, Inc.
  - 3.3. The Product was not damaged as a result of improper operation, misuse (whether intentional or otherwise), abuse, negligence, accident or flood, fire, earthquake or other external causes.

- 3.4. Only appropriate, non-defective new commercial ammunition was fired from the Product.
- 3.5. The defective Product and/or defective parts shall have been returned by the Purchaser to IWI US, Inc. immediately upon request in conformance with IWI US, Inc.'s return procedures.
4. This Warranty does not apply to:
  - 4.1. Maintenance, repair or replacement of parts due to normal wear and tear.
  - 4.2. Expendable items such as batteries (including battery leaks), bulbs, cleaning supplies and other consumables.
  - 4.3. Any cosmetic damage that does not impede form, fit, and function of the Product.
  - 4.4. Products that show evidence of tampering.
  - 4.5. IWI US, Inc. does not warrant that the operation of the product will be uninterrupted, or error-free, or free of stoppages or malfunctions.
5. In the event a Product returned to IWI US, Inc. is not defective in design, materials or workmanship or not returned within the Warranty Period, a test and evaluation charge, as determined by IWI US, Inc. will apply.
6. IWI US, Inc. will be the sole determining evaluator and authority for adjudicating Warranty claims hereunder.

7. THE REPAIR, REPLACEMENT, OR REFUND AS PROVIDED HEREINABOVE IS THE SOLE AND EXCLUSIVE REMEDY OF THE PURCHASER, AND IS PROVIDED IN LIEU OF ALL OTHER WARRANTIES, EXPRESS OF IMPLIED, INCLUDING, WITHOUT LIMITATION, THE IMPLIED WARRANTIES OF MERCHANTABILITY, FITNESS FOR A PARTICULAR PURPOSE, NON-INFRINGEMENT, COURSE OF DEALING AND USAGE OF TRADE. IN NO EVENT SHALL IWI US, Inc. BE LIABLE TO PURCHASER, PURCHASER'S CUSTOMERS OR ANY THIRD PARTY, WHETHER IN CONTRACT OR TORT (INCLUDING NEGLIGENCE AND STRICT LIABILITY) FOR DAMAGES IN EXCESS OF THE PURCHASE PRICE OF THE PRODUCT, OR FOR ANY INDIRECT, INCIDENTAL, SPECIAL, PUNITIVE, OR CONSEQUENTIAL DAMAGES OR EXPENSES OF ANY KIND, OR PERSONAL INJURIES OR DAMAGE TO PROPERTY OF ANY KIND OR CHARACTER, OR LOSS OF REVENUE OR PROFITS, LOSS OF USE, LOSS OF BUSINESS, LOSS OF INFORMATION OR DATA OR OTHER FINANCIAL LOSS ARISING OUT OF OR IN CONNECTION WITH THE ABILITY OR INABILITY TO USE THE PRODUCT TO THE FULL EXTENT THESE DAMAGES MAY BE DISCLAIMED BY APPLICABLE LAW.
  
8. Some states do not allow the exclusion of consequential or incidental damages, so the above limitations may not apply to you.

---

## 17 Repair Services

---

If you need assistance with your firearm, please call +1 (717) 695-2081, Monday through Friday, 8:30AM to 4:30PM US Eastern time and ask to speak to Customer Service. If it is determined that shipment of your firearm to IWI US, or an authorized IWI US, Inc. Service Center is warranted, please prepare and ship as follows:

1. Request a Return Authorization number (RA#) from the IWI US, Inc. Customer Service Representative. Please note that IWI US, Inc. will refuse return/repair shipments without a RA#.
2. Record the serial number of your firearm before packing and shipping.
3. Check to make sure your firearm is unloaded.
4. Remove all accessories from the firearm to prevent loss or damage. IWI US, Inc. will not be responsible for any loss or damage to non-IWI US, Inc. firearms or accessories.
5. Pack your firearm in the original box. If the original box is not available, pack your firearm in a box that will protect it from any handling and/or shipping damage. Be sure that there are no markings and/or words on the outside of the box that indicate there is a firearm inside the box. This will help to deter theft of the firearm while in-transit to IWI US, Inc.
6. Enclose a letter with the firearm detailing the model name and serial number of your firearm along with a full description of the problem. Be sure to include your full name and street address city and state, including zip code, daytime telephone number and email address.

7. Ship your firearm by UPS, FedEx or USPS (US Postal Service). IWI US, Inc. is not responsible for damage or loss during shipment, so you may elect to purchase insurance from the carrier. Ship to the following address:

IWI US, Inc.  
Attn. Service Department  
RA# \_\_\_\_\_  
5480 Linglestown Road  
Harrisburg, PA 17112



**WARNING!**

**DO NOT SEND LIVE AMMUNITION OR SPENT (FIRED) SHELLS/CARTRIDGES IN YOUR FIREARM OR IN THE SAME BOX WITH YOUR FIREARM. THIS IS A VIOLATION OF FEDERAL LAW. IF YOU FEEL YOU MUST SEND SPENT (FIRED) SHELLS/CARTRIDGES, PLEASE SHIP THEM IN A SEPARATE PACKAGE AND INCLUDE A COPY OF THE LETTER THAT YOU PACKED WITH YOUR FIREARM.**



Copyright © 2016 by IWI US, Inc.

In the interest of product improvement, its design and performance characteristics may be changed at any time without prior notice.

English Edition Printing August 1, 2016

# Cardinal Rules of Firearms Safety

- Treat all guns as if they were loaded.
- Point the muzzle in a safe direction at all times. (A “safe direction” is one in which no one would be injured if the gun were to discharge.)
- Keep your finger off the trigger and outside the trigger guard until you are aimed at a safe target and intend to fire.
- Be sure of your target and what's around and beyond it.
- When you pick up a gun that, even for an instant, has been out of your direct, continuous control, the first thing you must do, while following the above rules, is to open the gun's action (recoil mechanism) and determine whether or not the gun is loaded.
- All guns left unattended, even briefly, must be made inoperable or inaccessible to children and other unauthorized users.

---

IWI US, Inc. • P. O. Box 126707 • Harrisburg, PA • 17112  
Tel: +1 (717) 695-2081 • Fax: +1 (717) 412-0873 • [service@iwi.us](mailto:service@iwi.us)

[WWW.IWI.US](http://WWW.IWI.US)

