

CARMEL™

5.56X45mm



OPERATOR MANUAL



Read the instructions and warnings in this manual carefully. Understand them before using this firearm. If there is anything you do not understand, seek advice from your retailer, someone qualified in the safe handling of firearms, or contact IWI US, Inc. Tel: +1 (717) 695-2081 or mail to: info@iwi.us.

This Operator Manual should always accompany this firearm. It should be transferred upon change of ownership, or when the firearm is loaned or transferred to another person.



TABLE OF CONTENTS

1	Warnings/Safety Precautions.....	1
2	About This Document	3
3	General Safety Rules and Procedures	5
4	Firearms Safe Home Storage Checklist	14
5	Function Overview	15
6	Specification.....	16
7	Parts and Features.....	17
8	Operating Instructions.....	19
9	Troubleshooting	24
10	Disassembly and Assembly.....	26
11	Conversion to Left Hand Operation.....	38
12	Limited Product Warranty	43
13	Repair Services	46

1 Warnings/Safety Precautions



CARDINAL RULES OF FIREARMS SAFETY

- Treat all guns as if they were loaded.
- Point the muzzle in a safe direction at all times. (A “safe direction” is one in which no one would be injured if the gun were to discharge.)
- Keep your finger off the trigger and outside the trigger guard straight along the frame until you are on target and intend to fire.
- Be sure of your target, what's around and beyond it.
- When you pick up a gun that, even for an instant, has been out of your direct, continuous control, while following the above rules, open the gun's action (recoil mechanism) and determine whether or not the gun is loaded.
- All guns left unattended, even briefly, must be made inoperable or inaccessible to children and other unauthorized users.



WARNING! Careless and improper handling of this rifle could result in unintended discharge, causing injury, death and/or property damage. Safety must be the first and constant consideration when handling a firearm and ammunition.

SAFETY DEPENDS ON YOU.



WARNING! Prior to removing this rifle from its packaging, and prior to handling, loading and firing, carefully and thoroughly read and understand this entire Operator Manual. Your safety and that of others (including your family) depends on your responsible compliance with that advice, good judgment and common sense. Firearms safety depends on YOU. You cannot forget, you cannot overlook, you cannot allow yourself to be distracted, and you cannot become complacent or casual with firearms.

There are no “foolproof” firearms. Once a shot is fired, it cannot be called back. A firearm in your hands can cause unintended death or serious bodily harm if you fail to follow safe gun handling rules and practices such as those contained in this manual.

Remember, firearms safety depends on YOU!

If unfamiliar with firearms, seek supervised instruction from a certified firearms instructor.

2 About This Document

This manual contains:

- Important **WARNINGS** and **SAFETY PRECAUTIONS** that must be read and understood before using this firearm. **SAFE GUN HANDLING IS YOUR RESPONSIBILITY AT ALL TIMES.** Disregarding the warnings and safety precautions in this manual can result in injury or death to you, others and/or damage to property.
- Directions and procedures for handling, loading, firing, unloading, disassembling and assembling this firearm.
- Instructions for care, cleaning and repair of this firearm.

This Operator Manual is designed to help you learn how to properly and safely use and care for your CARMEL™. Only when you have fully familiarized yourself with the function of your firearm should you handle your firearm.

This Operator Manual should always accompany the firearm and be transferred with the firearm on change of ownership or possession. Should you ever need to replace it, this manual is available FREE upon request from IWI US, Inc. or on the IWI US, Inc. website at www.iwi.us.

All illustrations and instructions in this manual relate to the right hand shooter configuration.

The illustrations in this manual may differ slightly from the actual product.

Throughout this manual, special references are made when seemed important. The classifications are used to separate these references by their order of importance.



DANGER! Indicates an imminently hazardous situation which, if not avoided, will result in death or serious injury.



WARNING! Indicates a potentially hazardous situation which, if not avoided, could result in death or serious injury.



CAUTION! Indicates a potentially hazardous situation which, if not avoided, could result in minor or moderate injury or an unsafe practice that can lead to property damage.

3 General Safety Rules and Procedures



WARNING! This firearm was designed to function properly in its original condition. Do not alter any parts, as this will nullify the warranty. Do not replace any parts unless you are factory-trained to do so and then use only original factory parts from IWI US, Inc.



WARNING! Horseplay has no place around firearms. Guns can't think - you can! **SAFETY DEPENDS ON YOU!**

NOTE: This Operator Manual, and the instructions and warnings contained in it, are intended for the civilian recreational user, target shooter, or hunter, and not necessarily for the law enforcement, security, military, or other “defensive” user. Defensive use of this or any other firearm involves unusual, serious risks, and may at times require deviation from certain safety rules and firearms handling procedures contained in this manual. Such defensive procedures and deviations are beyond the scope of this manual. In order to use such defensive procedures safely requires intensive initial training and qualification from a proper professional source, followed by “in service” training and qualification at appropriate intervals. Anyone who has not been properly and professionally trained in defensive firearms handling procedures must not attempt to use this firearm in any manner other than as set out in this Operator Manual. Doing so can result in death or serious injury.



WARNING! Always handle and treat your firearm as if it were loaded. Never take anyone's word that it is unloaded. Always check it yourself with your finger off the trigger and the rifle pointed in a safe direction. Visually and physically inspect the chamber, bolt face and magazine well to ensure the rifle is free of ammunition. Even after you have confirmed that the rifle is unloaded, continue to treat it as if it were loaded.



WARNING! Never place your finger on the trigger unless you are on target and intend to fire. Instead, keep your trigger finger off the trigger, superior to the trigger guard, straight alongside the frame of the rifle until you intend to fire. Do not pull the trigger or attempt to fire until the safety selector has been moved to the "FIRE" position.



WARNING! Upon firing, a hot, empty shell casing is forcefully ejected from the ejection port. All persons present must wear suitable eye protection, and must stand clear of the case ejection area.



DANGER! DO NOT grasp the forward portion of the trigger guard/hand grip frame with your non-shooting hand or allow any fingers of your non-shooting hand to enter the trigger guard at any time. If you do so, there is a chance your non-shooting hand or fingers could touch the trigger, unintentionally discharging the rifle. This could potentially cause death or serious injury.



WARNING! Keep the gun's muzzle pointed in a safe direction at all times. A safe direction is one in which an unintentionally fired shot will not cause any physical injury or property damage. Never let the muzzle of a firearm point at any part of your body or another person, or in any direction where an injury may result if the rifle were to fire. Always be sure of your target, what's beyond and around it before firing.



WARNING! Always make sure your firearm is not loaded before cleaning, storing, transporting or handing it to another person. Firearms should be transported unloaded and in a protective rifle case.



WARNING! Remember, safety is your responsibility. Be a safe shooter. **SAFETY DEPENDS ON YOU!**



WARNING! Always wear and require others to wear wrap around ANSI or OSHA approved safety glasses while shooting to protect your eyes from injury by ejected shell cases, gun powder gas, lubricant, dirt or metallic particles, carbon residue, sparks, bullet fragmentation from targets or other debris.



WARNING! UNLOAD ALL FIREARMS WHEN NOT IN USE. NEVER STORE A LOADED FIREARM. Firearms and ammunition should be stored separately under lock and key so that they are inaccessible to children or unauthorized users.

Never leave any firearm or ammunition, unattended where an unauthorized user might have access to it. At the range, any firearm you lay down on the shooting bench should be unloaded, with its action locked open. Never lean or place a firearm where it could slide or fall, such as leaning it against or placing it on a vehicle. Never let the muzzle of a firearm touch the ground, mud, sand or snow that might obstruct the bore, causing the barrel to burst when you fire. If you drop a firearm, pick it up carefully with it pointed in a safe direction (have all other people move out of the direction of the muzzle), with your finger outside the trigger area and the safety in the “Safe” position. Then unload the firearm, and check to be sure there are no obstructions in the bore. This can be done safely with a cleaning rod, or by disassembling the firearm and looking down the bore from the chamber (rear) end. If there is any possibility of damage to your CARMEL™, have it inspected by a qualified gunsmith, or return it to IWI US, Inc. for inspection, before you load or fire it again.



WARNING! Always wear and require others to wear commercially manufactured ear protection designed for shooting while shooting. Without ear protection, the noise from your gun, and other guns close to you, could leave a “ringing” in the ears for some time after firing, and could result in permanent hearing loss.



WARNING! Learn the mechanical and handling characteristics of the firearm you are using. Not all firearms are the same, and your CARMEL™ firearm has some unique features. Do not assume that just because you have experience with other firearms, you know how to use the CARMEL™ firearm properly. Read and understand this manual. If there is anything you do not understand, contact your firearms retailer or IWI US, Inc. at service@iwi.us or telephone Tel: +1 (717) 695-2081.



WARNING! Never climb or descend a tree, fence or wall, jump across a stream or ditch, or attempt to cross an obstacle, ice, or precarious terrain while carrying a loaded firearm. Whenever you are going to do anything where the firearm will not be positively controlled, unload the rifle first!



WARNING! Do not shoot at a hard surface, such as rock, masonry, metal, or at water or ice. The bullet may ricochet and travel in unpredictable directions to strike you or another unintended person or object.



WARNING! A bullet fired into the air can travel several miles and can kill or seriously injure someone when it comes down. Never fire up into the air, or at animal in a tree, or on the crest of a hill.



WARNING! Before hunting with this or any other firearm, take an approved Hunter Safety Course, taught in all states by the state game commission or by the National Rifle Association (NRA). Follow your state's game laws at all times while hunting.



WARNING! If you have not received formal firearms instruction or if you have any doubts about your ability to handle or use this firearm safely, seek supervised instruction from a certified firearms instructor. Information about sources of firearms instruction can often be obtained from your local police department, firearms retailer, gun club, shooting range, state game commission, or from the National Rifle Association ("NRA"), 11250 Waples Mill Road, Fairfax, Virginia 22030, telephone 1-703- 267-1000 or 1-800-672-3888.



WARNING! Firearms and alcohol do not mix. Never drink alcoholic beverages or take drugs before or during shooting. This constitutes criminal disregard for your safety and that of others. Some medications can impair your vision, balance, reflexes, coordination, alertness or judgment. Never use a firearm while you are taking medication unless you have checked with your doctor to ensure your fitness to handle your firearm safely. Do not handle your firearm when you are ill, tired, upset or distracted.



WARNING! If at any time you notice something about the appearance or functioning of your CARMEL firearm that does not seem proper or that causes you concern, STOP. Unload your firearm immediately, and do not load or fire your firearm until you have it inspected and, if necessary, repaired by a factory-trained armorer or by IWI US, Inc. If you fire your CARMEL™ firearm extensively, have it professionally inspected and serviced periodically (annually is a good average interval) by a factory-trained armorer or by IWI US, Inc.



WARNING! Discharging firearms in poorly ventilated areas, cleaning or handling firearms, or handling ammunition may result in exposure to lead and other substances that may cause birth defects, reproductive harm, and other serious physical injury. Have adequate ventilation at all times. Wash your hands and face thoroughly after exposure, especially before eating or drinking. Shooting, handling or cleaning guns may expose you to lead, which is a toxic substance.



REMEMBER, FIREARMS SAFETY DEPENDS ON YOU! THERE ARE NO “FOOLPROOF” GUNS, INCLUDING THE CARMEL®. A SINGLE MOMENT OF INATTENTION OR A SINGLE FAILURE TO FOLLOW THESE FIREARMS SAFETY RULES AND WARNINGS CAN RESULT IN TRAGEDY. YOU ARE RESPONSIBLE FOR THE GUN THAT IS IN YOUR HANDS, IN YOUR POSSESSION, OR UNDER YOUR CONTROL. FIREARM SAFETY DEPENDS ON YOU!



WARNING! Never fire your rifle with water, grease, excess oil, or any other obstruction in the barrel as this could cause damage to the rifle and possible injury to the user. Be sure the barrel is clear of any obstructions before shooting.



WARNING! If you experience a noticeable difference in sound or recoil, **STOP FIRING!** Keep your finger off the trigger and point the firearm in a safe area (see definition of safe area above).

This condition could be caused by an incomplete powder burn, a cartridge with a primer but no powder (“SQUIB LOAD”) or too little powder. The round could possibly be lodged in the bore.

Immediately unload the rifle and check for unburned powder residue in the bore and the receiver, or the possibility of a round lodged in the bore. Remove the unburned powder before resuming firing. If a bullet is stuck in the bore, have a qualified gunsmith repair the rifle. Never try to “SHOOT OUT” a bullet stuck in the bore. Firing with unburned powder in the barrel or a bullet stuck in the bore could cause the barrel to explode causing serious injury or death.

4 Firearms Safe Home Storage Checklist

- Firearms naturally attract the attention of children, teenagers and adults alike. Accordingly, it is YOUR responsibility to ensure that your firearms, when unattended, stored or not in use, are secured under lock and key, safely out of the access of all unauthorized users. This is YOUR responsibility, and any mistake or inattention on your part can result in death or serious injury to your loved ones or others.
- Firearms must be securely stored under lock and key in a location inaccessible to children and other unauthorized persons.
- Firearms should be unloaded before they are brought into the home.
- All firearms should be immediately cleaned and placed in secure locked storage when they are returned from hunting or target shooting.
- When firearms are removed from storage, they must always immediately be carefully checked to confirm that they are unloaded.
- Ammunition should be stored under lock and key, in a separate location from firearms.
- The operator manual that came with your firearm must be read, understood and followed.

For more information on safe storage and use, refer to the NSSF pamphlets “Firearms Safety Depends on You” and “Firearms Responsibility in the Home”, available for download from the NSSF website at <http://nssf.org>.

5 Function Overview

The CARMEL™ is a semi-automatic, gas operated rifle.

It is a short-stroke gas-piston operating system with a delayed rotating bolt system. The high-pressure gas from the barrel impinges on the piston head which in turn actuates the bolt carrier.



6 Specification

Model	CARMEL™ 16" Rifle
Ammunition	5.56X45 mm NATO (M855/SS109/M193/223)
Operation Principle	Short stroke Gas piston, locking rotating bolt
Fire Mode	Semi-Automatic
Feeding	30 - NATO Round Magazine
Weight (firearm only) (lbs.)	8.05
Overall length (mm) Open/Collapsed/Folded	37.4" / 33.8" / 26.3"
Barrel Length	16" / 409 mm
Height	Without sights: 6.45" / 212 mm
Rifling	6 R.H. grooves, 1:7" twist
Optional Equipment	Muzzle Break / Flash Suppressor

Table 6-1: - CARMEL™ – Specification

*All the values (weights, dimensions) shall be considered as approximate values only. They are subject to alteration without notice at any time by manufacturer.

7 Parts and Features

The parts and features of CARMEL™

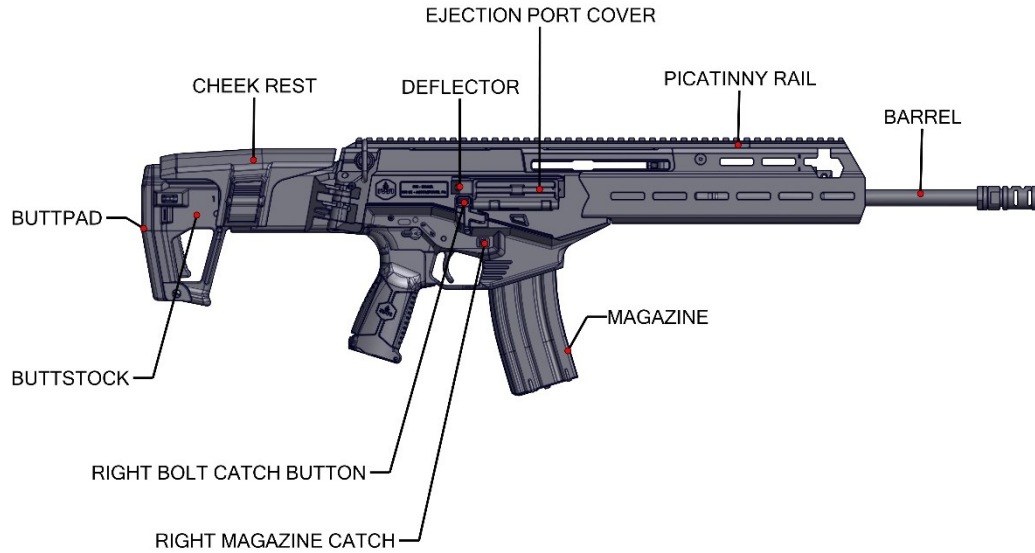


Figure 7-1 - CARMEL™ General Overview – Right Side

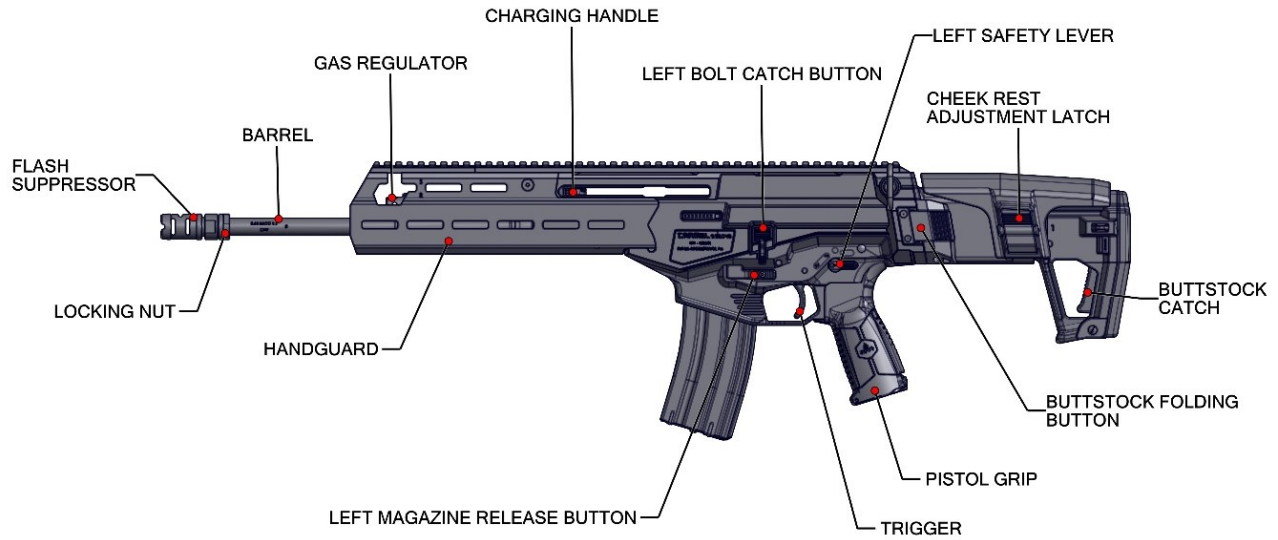



Figure 7-2 - CARMEL™ General Overview – Left Side

8 Operating Instructions

8.1 Safety Check

1. Ensure that the safety lever is in Safe Mode (position ) , as shown in Figure 8-1.

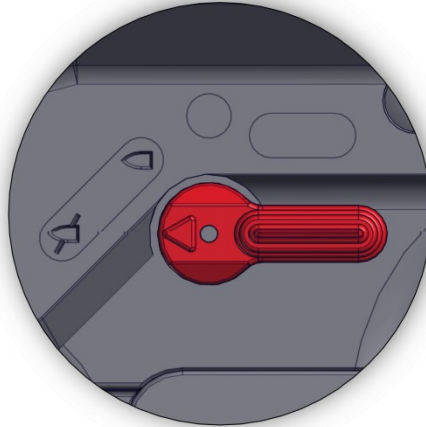


Figure 8-1 - Safety Lever - Safe Mode Position

2. Ensure there is no magazine in the magazine well.
3. Hold the pistol grip.
4. Point the firearm in a safe direction.
5. Lock the bolt to the rear using the bolt catch.
6. Visually inspect the chamber, bolt face and magazine well to ensure that no live ammunition is present.
7. Close the bolt by pressing on the bolt release or pulling back and releasing the charging handle.

8.2 Loading

1. Ensure the firearm is on safe and pointed in a safe direction.
2. Insert a magazine and ensure it is locked in place.
3. Charge the firearm by pulling the charging handle all the way to the rear and releasing it. Make sure you release the charging handle and do not "ride" the handle forward. Doing this may cause the round to not fully go into battery.

8.3 Unloading

1. Ensure that the firearm is on safe and pointed in a safe direction.
2. Press the magazine release lever and remove the magazine.
3. After the firearm is unloaded, perform the following:
 - Cycle the charging handle once, then lock the bolt to the rear by depressing the bolt catch while keeping the charging handle pulled back to the rear.
 - Slide charging handle back to the forward position.
 - Visually inspect the chamber, bolt face and magazine well to ensure no ammunition is present.

8.4 Adjusting the Collapsible Folding Buttstock

You can adjust the length of the collapsible Folding Buttstock in six positions or fold it to the right side of the firearm.

To adjust the length of the Collapsible Folding Buttstock:

1. Press the buttstock catch on the end of the Collapsible Folding Buttstock (Figure 8-2).

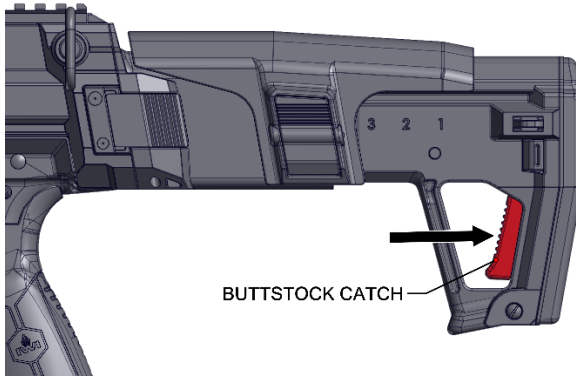


Figure 8-2 - Retracted Buttstock

2. Pull the Collapsible Folding Buttstock in and out to one of the desired position then release the button, ensuring it clicks into place. (Figure 8-3).

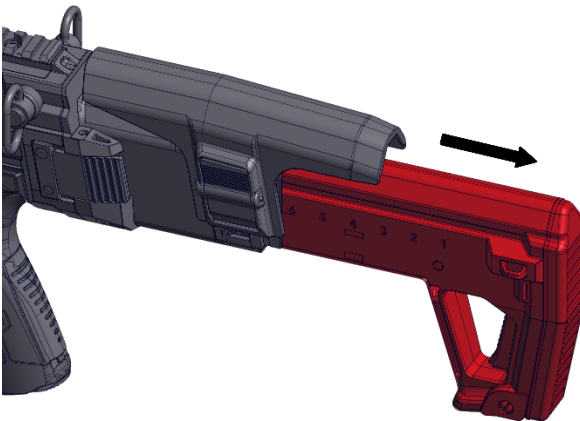


Figure 8-3 - Extended Buttstock

8.5 Opening and Closing the Buttstock

To Fold:

1. With your thumb on the serrations, press the Buttstock Catch on the left side of the firearm downwards until it releases.
2. Rotate the Collapsible Folding Buttstock to the right side of the firearm all the way to fold it (Figure 8-4). For more information see Figure 10-2 on page 27.

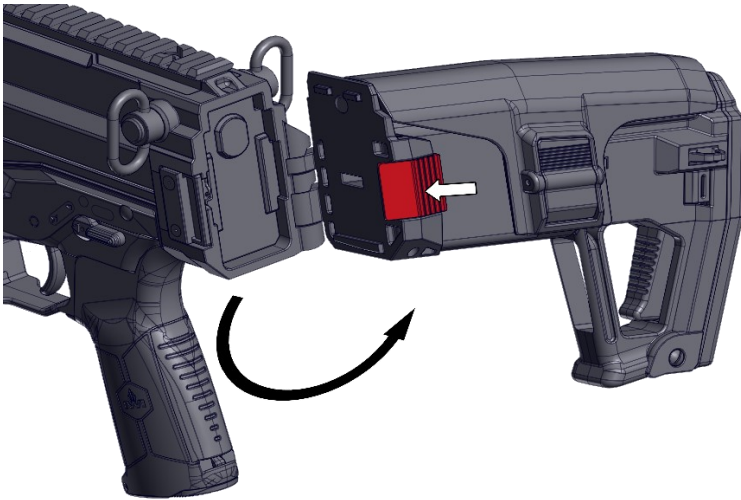


Figure 8-4 – Folding/Unfolding the Buttstock

To unfold the Collapsible Folding Buttstock:

Pull back on the Buttstock until the latch locks into place.

You may need to press the Buttstock Catch forwards with some force to lock it into place.

8.6 Gas Regulator

The Gas Regulator is used to control the amount of pressure exerted on the piston by the fired cartridge.

The Carmel™ has two gas settings that are marked on the front of the foregrip.

Position 1 - marked as **"S"** - for suppressed operation.

Position 2 - marked as **"R"** - for regular operation.

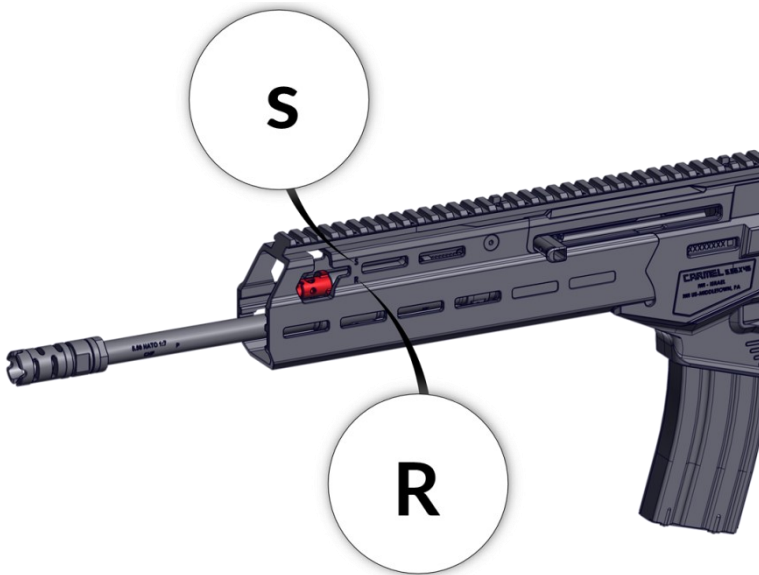


Figure 8-5 – Gas regulator Position

9 Troubleshooting

	Possible Cause	Management
Recoil Mechanism In Forward Position	Magazine not seated properly, no round in chamber.	<ol style="list-style-type: none"> 1 Tap upwards on the bottom of the magazine, then pull down to ensure the magazine is seated properly. 2 Charge the firearm. 3 Continue firing.
	Failure to lock the bolt due to carbon buildup.	Clean the firearm according to Post-Firing Maintenance on page 39.
	Failure to fire.	Possible bad ammunition- replace if necessary
	Firing pin broken / worn out.	Contact IWI US

Table 9-1: – First Stoppage Management

	Possible Cause	Management
Recoil Mechanism In Middle Position	Double feed.	1 Place the firearm on safe and remove the magazine.
	Cartridge was not extracted properly.	1 With the firearm facing a safe direction and charging port facing down, cycle the bolt 2-3 times. 2 Verify there is no round/case left inside the firearm. 3 Insert the magazine. 4 Charge the firearm. 5 Point the firearm back on target, switch the safety lever to fire, and attempt to fire. 6 If the firearm does not fire, inspect the gas regulator to ensure it is on the correct setting.
	Faulty extractor or Ejector.	Contact IWI US

Table 9-2: – Second Stoppage Management

10 Disassembly and Assembly

The CARMEL™ can be disassembled for cleaning and storage purposes and assembled back.

Primary Disassembly includes removal of the firearm parts in the following order:

1. Recoil mechanism
2. Lower receiver

Secondary Disassembly includes disassembling of the Recoil mechanism.

The firearm is assembled in reverse order.

NOTE: *The hammer must be cocked prior to disassembly*

10.1 Primary Disassembly

10.1.1 Removal of Recoil Mechanism Assembly

1. Ensure no ammunition is in the firearm- follow unloading procedure instructions found in this manual.
2. Put firearm on safe. Charge the charging handle to ensure the hammer is cocked.
3. Press the Buttstock Folding Button and fold the Buttstock (Figure 10-1).

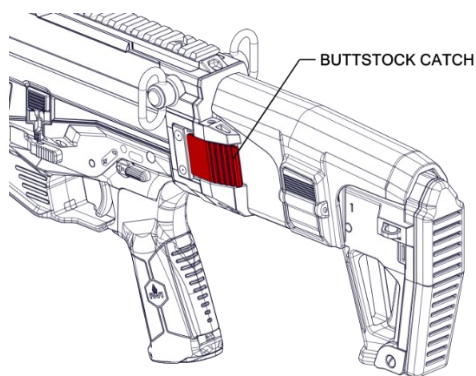


Figure 10-1 - Pressing the Buttstock Folding Button

4. Fold the Buttstock to the right side (Figure 10-2).

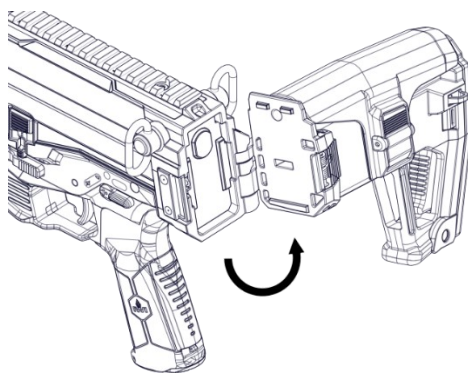


Figure 10-2 - Folding the Buttstock

5. Pull out the Recoil Mechanism Locking Pin till it stops (Figure 10-3). You may need to press in on the recoil mechanism slightly to release tension while pulling the locking pin.

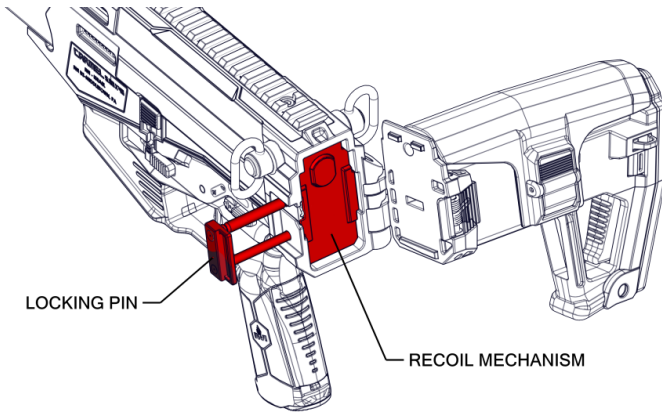


Figure 10-3 – Pulling out the Recoil Mechanism Locking Pin

6. Pull back the Charging Handle to extract the Recoil Mechanism (Figure 10-4).

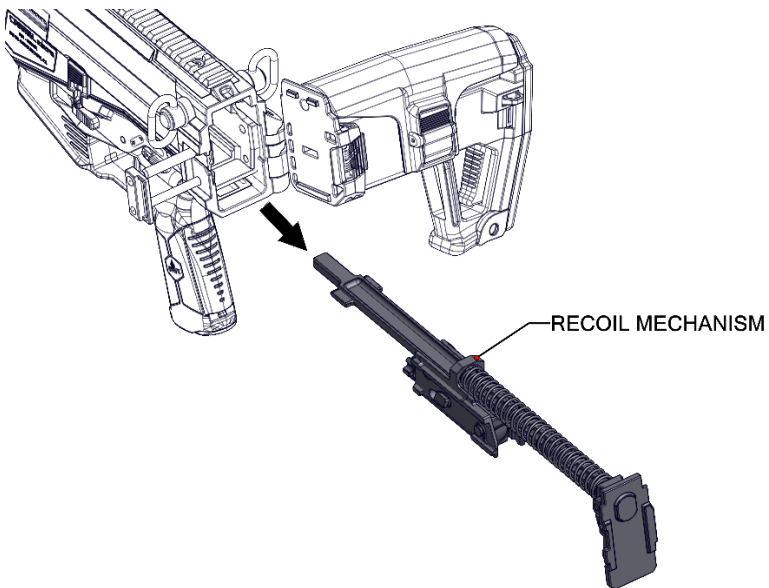


Figure 10-4 – Extracting the Recoil Mechanism

10.1.2 Removal of Lower Receiver Subassembly

1. Close the buttstock and press in the Lower Receiver Attachment Pin (Figure 10-5).

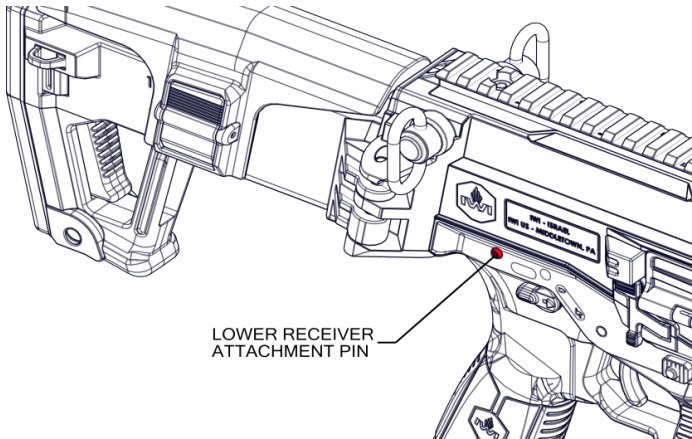


Figure 10-5 – Lower Receiver Attachment Pin

2. Pull it out from the other side till it stops (Figure 10-6).

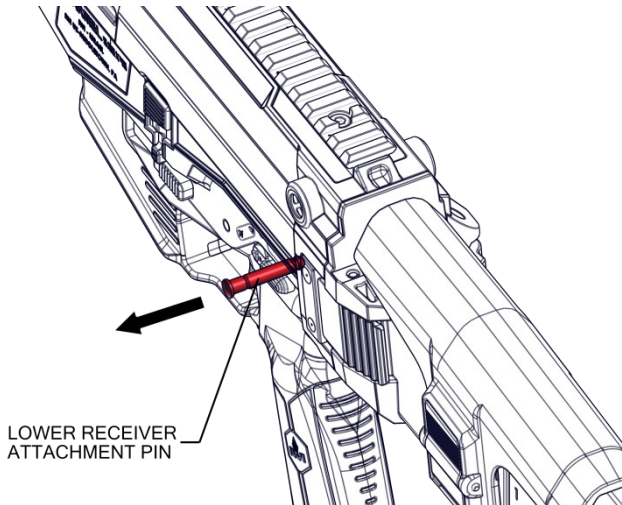


Figure 10-6 – Pulling Out Lower Receiver Attachment Pin

3. Lower the Receiver downwards and pull it out (Figure 10-7).

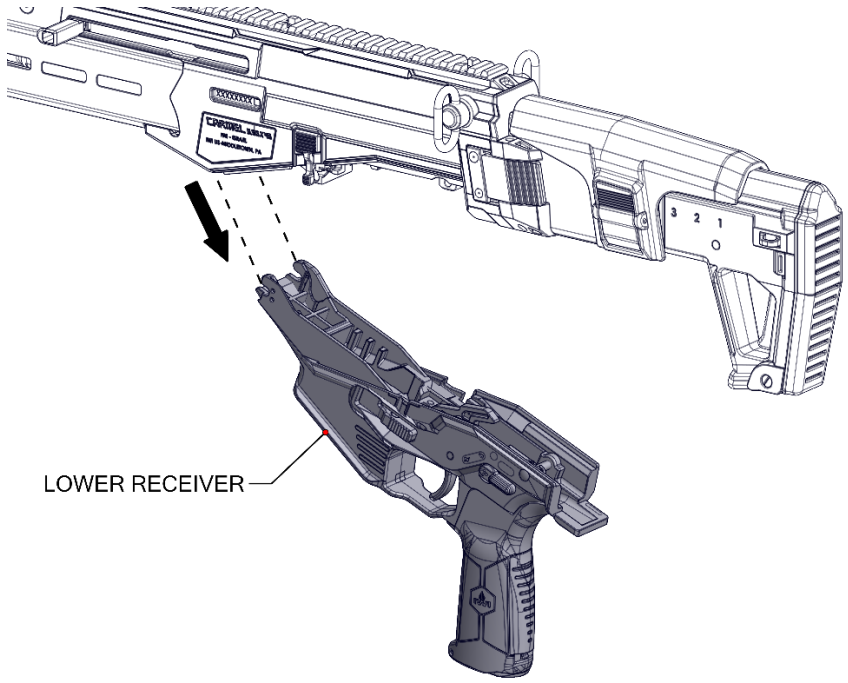


Figure 10-7 – Pulling Out the Lower Receiver

10.2 Secondary Disassembly and Assembly

For the purpose of cleaning the firearm, disassemble the Gas Regulator, Piston and Recoil assemblies.

10.2.1 Gas Regulator, Piston Disassembly and Assembly

To disassemble the Gas Regulator and Piston Assembly:

1. Conduct a safety check (see p. 19).
2. With the muzzle break facing up, turn the Gas Regulator counterclockwise till it stops.
3. Use a tool (screwdriver) to further turn the regulator to its furthestmost position.
4. Pull the Gas Regulator out.
5. Push the Piston forward with the cleaning rod from the butt side and take it out of the Gas Cylinder.

You can clean the Gas Regulator and Piston now.

To assemble the Gas Regulator and Piston Assembly:

1. Insert the Piston into the Gas Cylinder.
2. Place the Gas Regulator back and turn it clockwise to one of its positions.

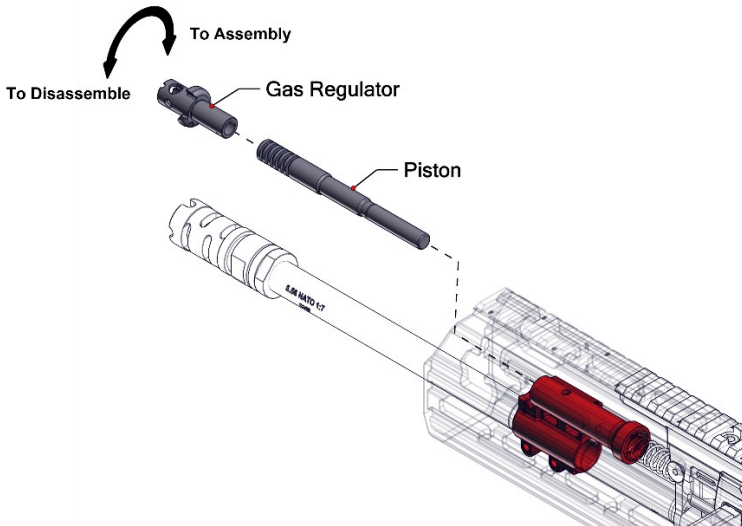


Figure 10-8 – Disassembled Gas Regulator and Piston

10.2.2 Recoil Mechanism Disassembly and Assembly

To disassemble the Recoil Mechanism Assembly:

1. Push the firing pin into the bolt carrier until the rear of the firing pin is trapped by the firing pin block.
2. With a punch, push the security pin across until it is clear of the firing pin. (note: the firing pin security pin is captured).
3. Push the bolt into the bolt carrier.
4. Push upwards on the firing pin block and remove the firing pin and spring.
5. Remove the bolt guide pin.
6. Remove the bolt from the carrier.

You can clean the mechanism now see page 42.

To assemble the Recoil Mechanism:

1. Insert the Bolt ensuring that the hole for the Bolt Guide pin is aligned with the slot in the carrier.
2. Insert the Bolt Guide Pin in its slot through the Bolt and carrier making sure it is in the right position.
3. Insert the Firing Pin and Firing pin Spring to its designated place while lifting the rear end of the Firing Pin Blocker.
4. Insert the Security Pin to its designed place. Make sure it sits exactly between the Firing Pin head and Retaining Ring.

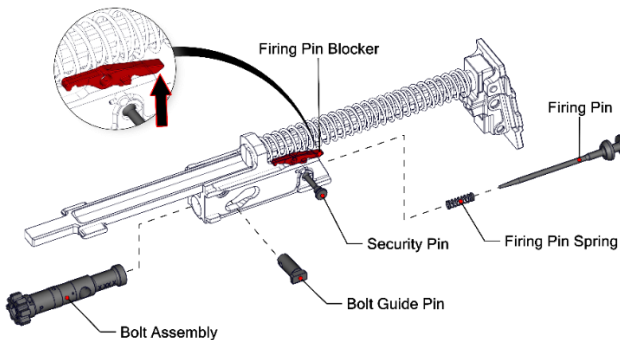


Figure 10-9 – Recoil Mechanism Assembly

10.2.3 Foregrip Disassembly and Assembly

To disassemble the Foregrip Assembly:

1. Using a 3mm Allen key, unscrew the three screws securing the Foregrip (1) then slide the Foregrip forwards along the barrel and remove from the rifle (2).

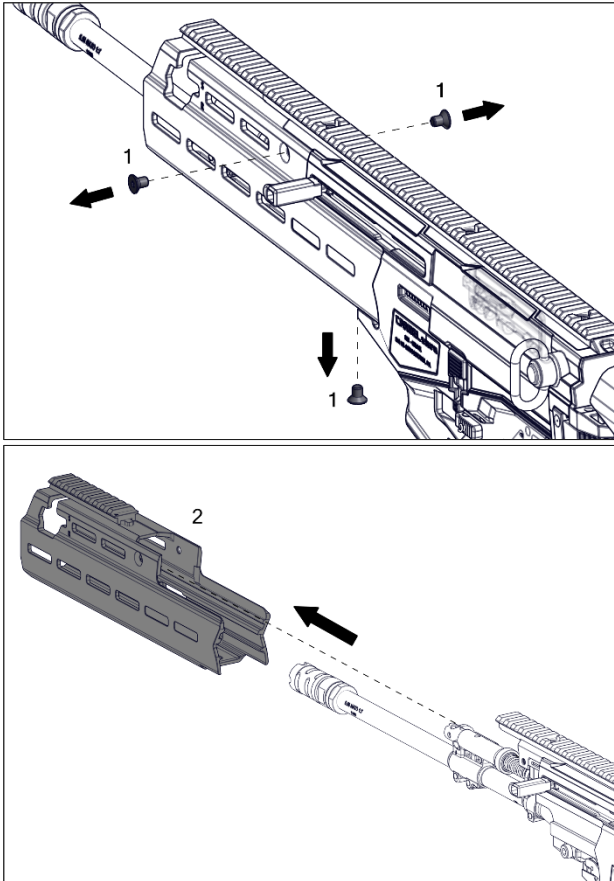
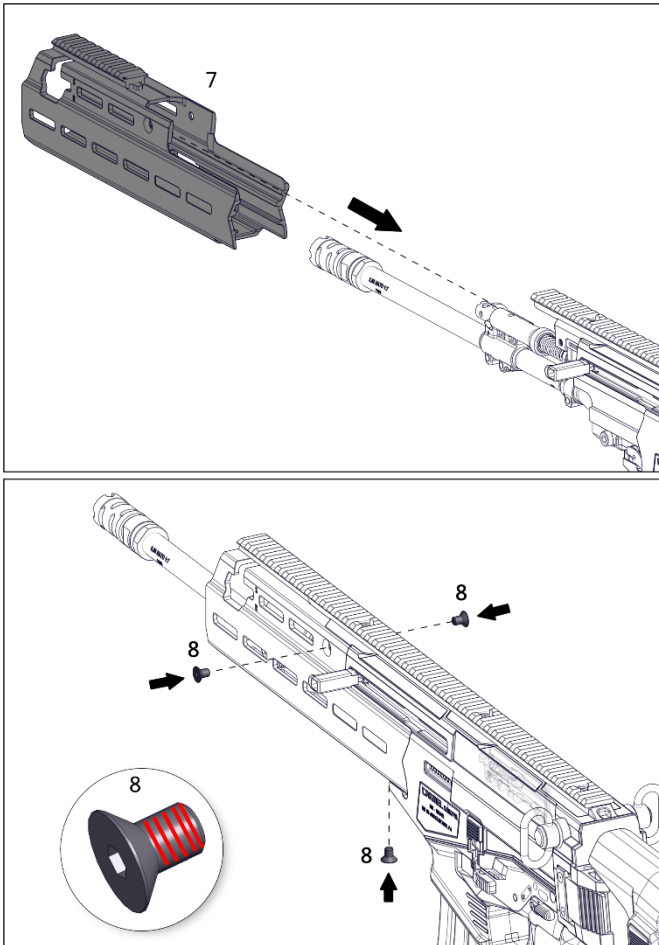


Figure 10-10 – Removing the Foregrip Assembly

To assemble the Foregrip Assembly:

1. Slide Foregrip (7) rearwards along the barrel.
2. Apply a thin coating of Loctite 222 or similar on screws (8). Using a 3mm Allen key, screw the three screws (8). The torque spec for the screws is 35 inch pounds.

**Figure 10-11 – Assembly the Foregrip Assembly**

10.3 Primary Assembly

10.3.1 Inserting Lower Receiver

1. Make sure that the hammer in the Lower Receiver is pressed down to the lowest position.
1. Tilt the Lower Receiver to 45°.
2. Insert the front “teeth” of the Lower Receiver to place them upon the designated pin in the Upper Receiver (1).
3. Raise the Lower Receiver up and forward until it is locked in its place (2).

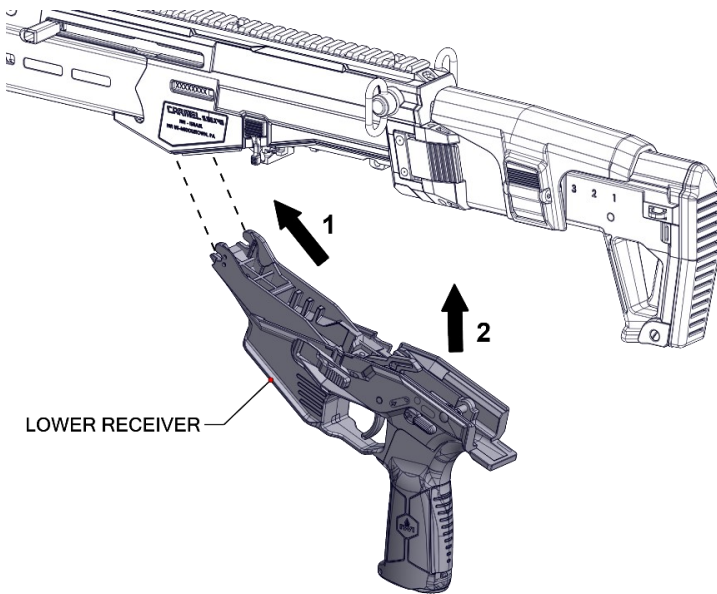


Figure 10-12 – Inserting Lower Receiver

4. Close the Attachment Pin and press the Lower Receiver Locking Pin inside until it is fully inserted (Figure 10-13).

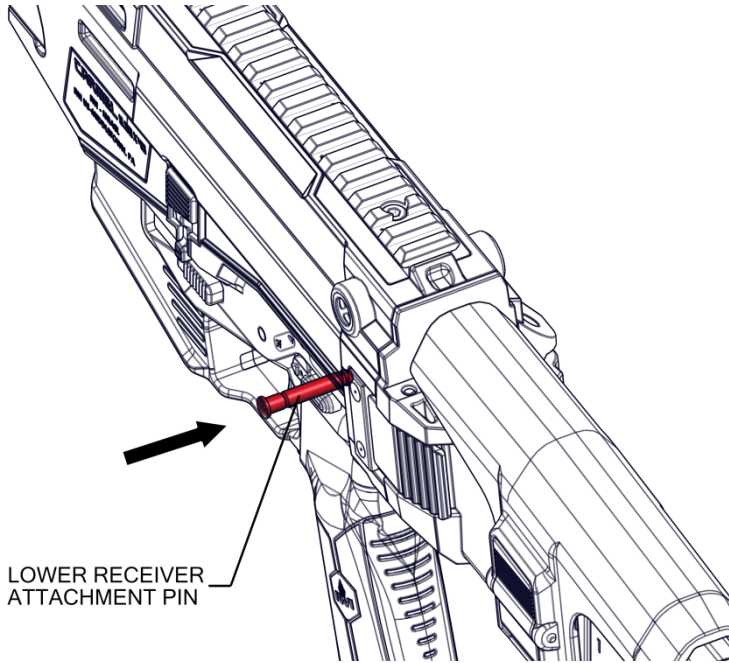


Figure 10-13 – Inserting Lower Receiver Locking Pin

10.3.2 Inserting Recoil Mechanism

1. Lower firearm to a 45° angle down with the Buttstock hinge opened. Make sure the bolt is all the way forward in the unlocked position by pulling it forward. Insert the Recoil Mechanism into the Upper Receiver.
2. Press the Back Cover of the Recoil Mechanism inwards while pushing the Locking Pin to its place.
3. Fold back the Buttstock and press the Buttstock Folding Button till it clicks.

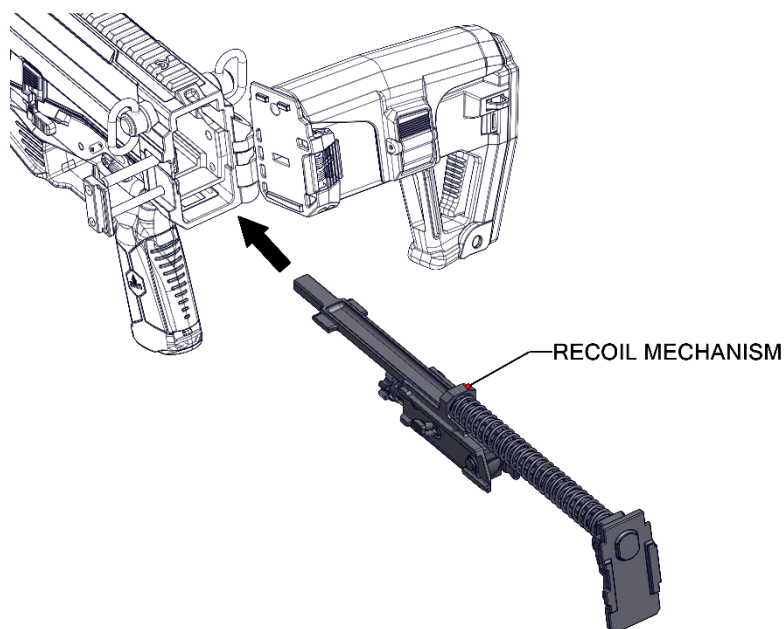


Figure 10-14 – Inserting of Recoil Mechanism

11 Conversion to Left Hand Operation

The CARMEL™ can be adjusted for left-handed users. The conversion is performed by user.

1. Ensure the firearm has no ammunition and is on safe. Point in a safe direction.
2. Pull the charging handle backwards and press one of the Bolt Catch buttons to lock the bolt to the rear.
3. Slide the charging handle forward so it is placed against the widest part of the slot and push the charging handle through the slot until it fully protrudes from the opposite side. Make sure it clicks fully into place to prevent jamming before releasing the bolt catch.
4. Release the Bolt Catch.

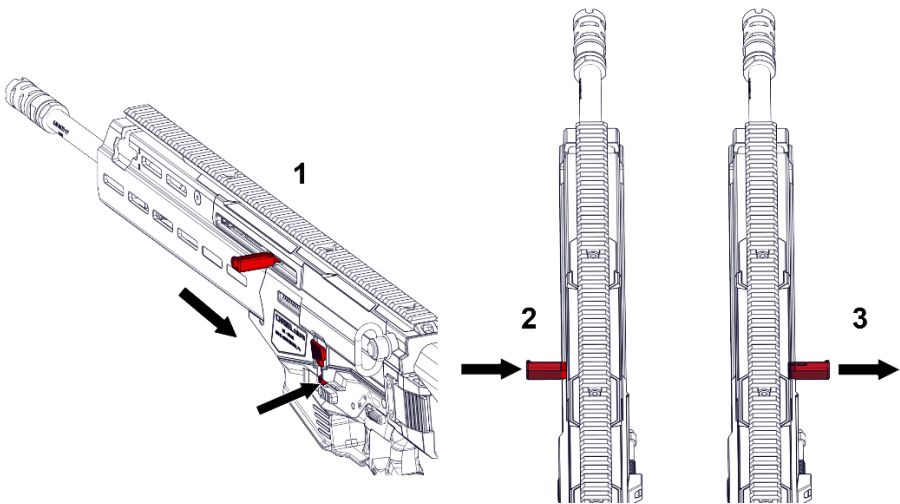


Figure 11-1 - Conversion to Left Hand Operation

11.1 Pre-Firing Maintenance

1. Perform Safety Check (see p. 19).
2. Perform Primary Disassembly (see p. 27).
3. Wipe out sand and dust from external parts with general cleaning brush.
4. Pass cleaning rod with clean cleaning patch through the chamber and the barrel to be sure the bore is not obstructed and to remove any fouling or excess oil.
5. Perform Primary Assembly (see p.35).

11.2 Post-Firing Maintenance

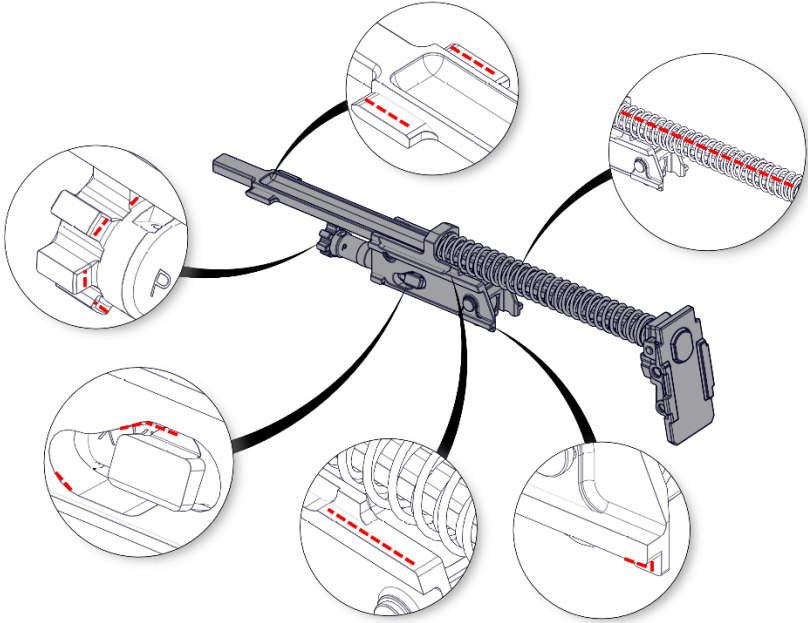
1. Unload the firearm (see p. 20).
2. Perform Safety Check (see p. 19).
3. Perform Primary Disassembly (see p. 27).
4. Pass cleaning rod with a clean patch inside the barrel.
5. Perform Secondary Disassembly (see p. 31).
6. Clean the parts thoroughly.
7. Verify all parts are clean from debris.
8. Lubricate the Bolt Carrier (see p.40).
9. Perform Secondary and Primary Assembly.

* Do not put oil on the piston. After being cleaned it should remain dry.

11.2.1 Lubricating the Bolt Carrier

Apply a thin coat of quality lubricating oil designed for firearms to the following, as marked on Figure 11-2:

- One drop to bolt carrier rails on each side (top and bottom).
- One drop behind bolt locking lugs on each one.
- One drop to bolt locking helix on each side.



**Figure 11-2 – Lubricating the Bolt Carrier
in the Marked Spots**

11.3 Maintenance Before Storing

1. Perform Safety Check (see p. 19).
2. Perform Primary Disassembly (see p. 27).
3. Clean the firearm's exterior body using general cleaning brush.
4. With Chamber brush and Gas Cylinder cleaning brush, clean the chamber.
5. Use brass barrel bore brush to clean the bore. Always start from the chamber end and ensure brush clears the muzzle before pulling back through barrel. Do this several times to remove debris from barrel.
6. Using general cleaning brush and cloth, clean the firearm's interior body.
7. Clean the barrel parts thoroughly wiping them with cloth.
8. Perform Secondary Disassembly of the recoil mechanism (see p. 32).
9. Clean the recoil mechanism parts thoroughly wiping them with cloth.
10. Lubricate the firearm.
11. Clean the metal surfaces of the sear mechanism using general cleaning brush.

12. With the hammer in the charged position, lightly lubricate the hammer spring coils in the marked points (see Figure 11-3).

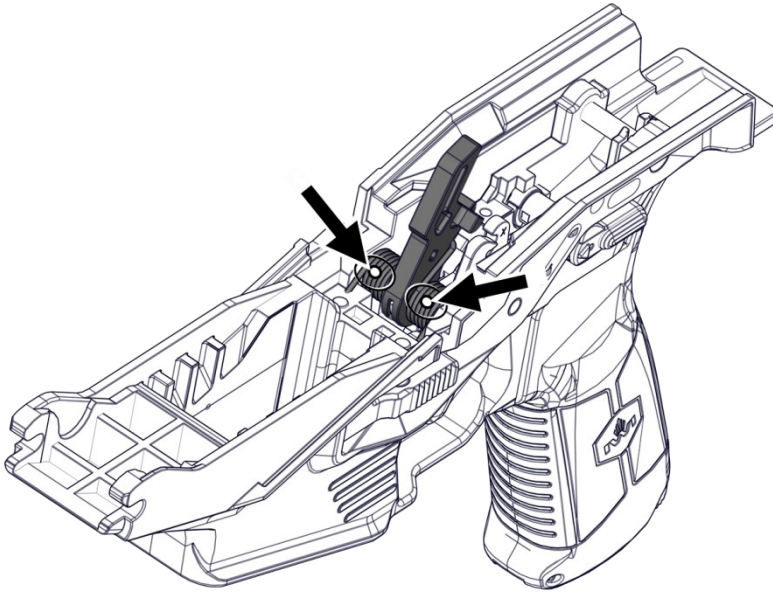


Figure 11-3 – Lubricating the Hammer Spring

13. Check the integrity of the surfaces of the bolt, bolt carrier, firing pin and firing pin spring.
14. Perform Assembly of Recoil Mechanism (see p. 32).
15. Insert the Recoil Mechanism second (see p. 36).
16. Check the integrity of the foregrip and the charging handle.
17. Check the proper operation of the safety lever.

12 Limited Product Warranty

1. This Warranty is given by "IWI US, Inc." solely to the original purchaser (the "Purchaser") of IWI US, Inc.'s CARMEL™ SEMI- AUTOMATIC RIFLE (the "Product") for a period of 5 years commencing from the date of Product retail purchase (the "Warranty Period").
2. Subject to the limitations and exclusions contained below, IWI US, Inc. warrants the Product to be free from defects in design, materials and workmanship. Consequently, should any failure to conform to this Warranty be discovered and brought to the attention of IWI US, Inc. during the Warranty Period, and be substantiated by examination at IWI US, Inc.'s facility or by duly authorized and certified field personnel on IWI US, Inc.'s behalf, IWI US, Inc., at its sole option and free of charge, shall either repair, replace or refund the purchase price of any non-conforming Product.
3. This Warranty shall only apply provided that:
 - 3.1 The Product has been transported and stored, handled, maintained, operated and used properly; all in accordance with IWI US, Inc.'s instructions found in this manual.
 - 3.2 No changes, repairs or services were made to the Product by any party other than IWI US, Inc. or an authorized representative of IWI US, Inc.
 - 3.3 The Product was not damaged as a result of improper operation, misuse (whether intentional or otherwise), abuse, negligence, accident or flood, fire, earthquake or other external causes.
 - 3.4 Only appropriate, non-defective new commercial ammunition was fired from the Product.
 - 3.5 The defective Product and/or defective parts shall have been returned by the Purchaser to IWI US, Inc. immediately upon requesting conformance with IWI US, Inc.'s return procedures.

4. This Warranty does not apply to:
 - 4.1 Maintenance, repair or replacement of parts due to normal wear and tear.
 - 4.2 Expendable items such as batteries (including battery leaks), bulbs, cleaning supplies and other consumables.
 - 4.3 Firing the Product with an obstruction in the barrel.
 - 4.4 Any cosmetic damage that does not impede form, fit, and function of the Product.
 - 4.5 Products that show evidence of tampering.
 - 4.6 IWI US, Inc. does not warrant that the operation of the product will be uninterrupted, or error-free, or free of stoppages or malfunctions.
5. In the event a Product returned to IWI US, Inc. is not defective in design, materials or workmanship or not returned within the Warranty Period, a test and evaluation charge, as determined by IWI US, Inc. will apply.
6. No implied warranty is made to any accessory items attached or appurtenant to the Product.
7. IWI US, Inc. will be the sole determining evaluator and authority for adjudicating Warranty claims hereunder.

8. THE REPAIR, REPLACEMENT, OR REFUND AS PROVIDED HEREINABOVE IS THE SOLE AND EXCLUSIVE REMEDY OF THE PURCHASER, AND IS PROVIDED IN LIEU OF ALL OTHER WARRANTIES, EXPRESS OF IMPLIED, INCLUDING, WITHOUT LIMITATION, THE IMPLIED WARRANTIES OF MERCHANTABILITY, FITNESS FOR A PARTICULAR PURPOSE, NON-INFRINGEMENT, COURSE OF DEALING AND USAGE OF TRADE. IN NO EVENT SHALL IWI US, INC. BE LIABLE TO PURCHASER, PURCHASER'S CUSTOMERS OR ANY THIRD PARTY, WHETHER IN CONTRACT OR TORT (INCLUDING NEGLIGENCE AND STRICT LIABILITY) FOR DAMAGES IN EXCESS OF THE PURCHASE PRICE OF THE PRODUCT, OR FOR ANY INDIRECT, INCIDENTAL, SPECIAL, PUNITIVE, OR CONSEQUENTIAL DAMAGES OR EXPENSES OF ANY KIND, OR PERSONAL INJURIES OR DAMAGE TO PROPERTY OF ANY KIND OR CHARACTER, OR LOSS OF REVENUE OR PROFITS, LOSS OF USE, LOSS OF BUSINESS, LOSS OF INFORMATION OR DATA OR OTHER FINANCIAL LOSS ARISING OUT OF OR IN CONNECTION WITH THE ABILITY OR INABILITY TO USE THE PRODUCT TO THE FULL EXTENT THESE DAMAGES MAY BE DISCLAIMED BY APPLICABLE LAW.
9. Some states do not allow the exclusion of consequential or incidental damages, so the above limitations may not apply to you.

13 Repair Services

If you need assistance with your firearm, please call:

Tel: +1 (717) 695-2081, Monday through Friday, 8:30AM to 4:00PM

US Eastern time and ask to speak to Customer Service. If it is determined that shipment of your firearm to IWI US, or an authorized IWI US, Inc. Service Center is warranted, please prepare and ship as follows:

1. Request Complete a Firearm Return Form found at <https://iwi.us/firearm-return-form/> (OR) Request a Return Authorization number (RA#) from the IWI US, Inc. Customer Service Representative. Please note that IWI US, Inc. will refuse return/repair shipments without a RA#.
2. Record the serial number of your firearm before packing and shipping.
3. Check to make sure your firearm is unloaded.
4. Remove all accessories from the firearm to prevent loss or damage. IWI US, Inc. will not be responsible for any loss or damage to non-IWI US, Inc. firearms or accessories.
5. Pack your firearm in the original box. If the original box is not available, pack your firearm in a box that will protect it from any handling and/or shipping damage. Be sure that there are no markings and/or words on the outside of the box that indicate there is a firearm inside the box. This will help to deter theft of the firearm while in-transit to IWI US, Inc.
6. Enclose a letter with the firearm detailing the model name and serial number of your firearm along with a full description of the problem. Be sure to include your full name and street address city and state, including zip code, daytime telephone number and email address.

7. Ship your firearm by UPS, FedEx. IWI US, Inc. is not responsible for damage or loss during shipment, so you may elect to purchase insurance from the carrier. Ship to the following address:

IWI US, Inc.

Attn. Service Department RA# _____
1441 Stoneridge Drive
Middletown, PA 17057



WARNING! DO NOT SEND LIVE AMMUNITION OR SPENT (FIRED) SHELLS/CARTRIDGES IN YOUR FIREARM OR IN THE SAME BOX WITH YOUR FIREARM. THIS IS A VIOLATION OF FEDERAL LAW. IF YOU FEEL YOU MUST SEND SPENT (FIRED) SHELLS/CARTRIDGES, PLEASE SHIP THEM IN A SEPARATE PACKAGE AND INCLUDE A COPY OF THE LETTER THAT YOU PACKED WITH YOUR FIREARM.



IWI US, Inc. • 1441 Stoneridge Drive • Middletown, PA 17057
• Tel: +1 (717) 695-2081 • Fax: +1 (717) 412-0873 •
info@iwi.us

WWW.IWI.US

